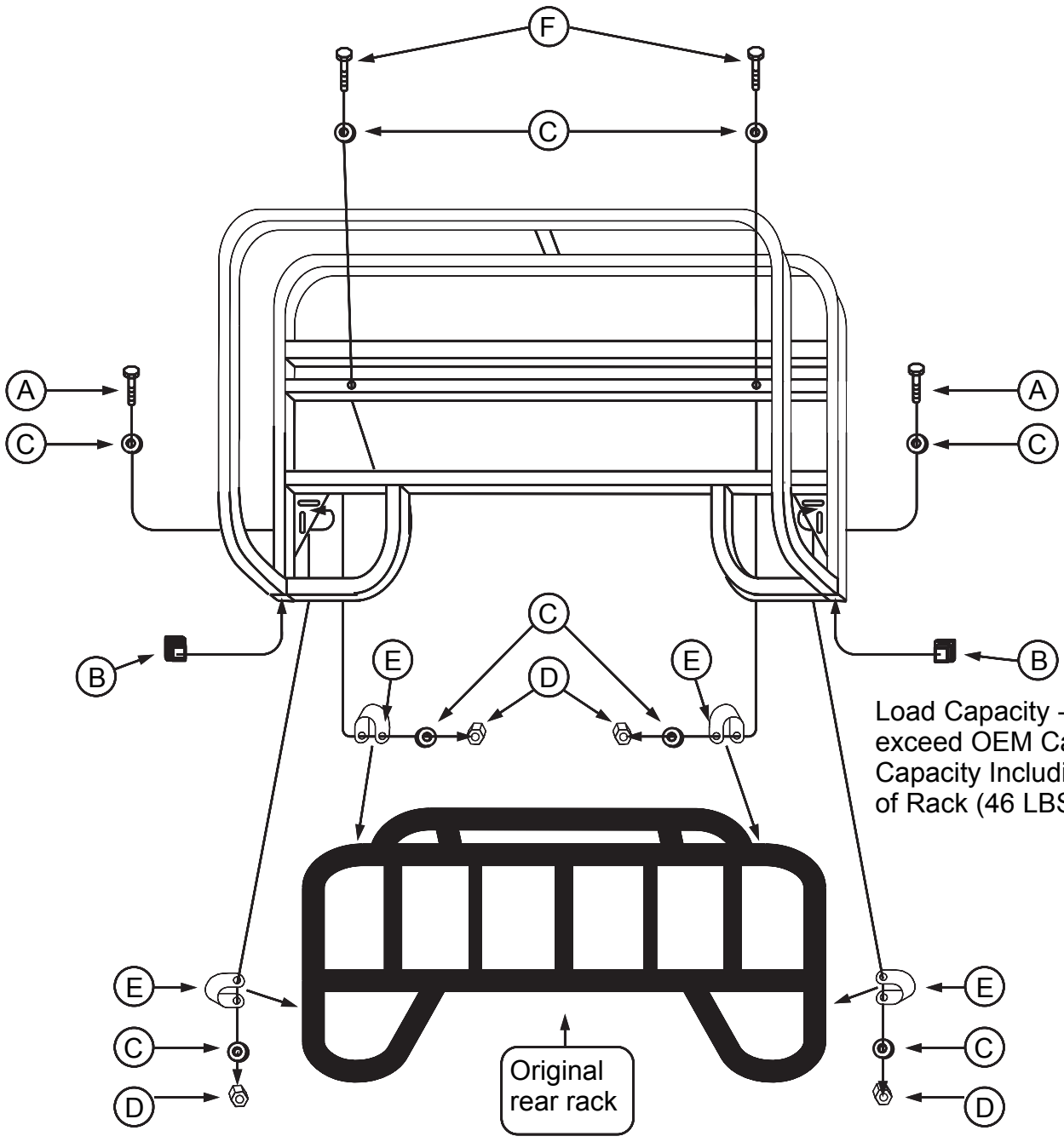


- A = 2 = 5/16 x 2 1/4 Bolts
- B = 4 = 1" Plug
- C = 8 = 5/16 SAE.(Small) Flat Washers
- D = 4 = 5/16 Lock nut
- E = 4 = 3/16 x 1 x 7/8 OVR Clip (oval slot clip)
- F = 2 = 5/16 x 3 1/4 Bolts

#519L



Load Capacity - Do not exceed OEM Cargo Weight Capacity Including Weight of Rack (46 LBS.)

Original rear rack