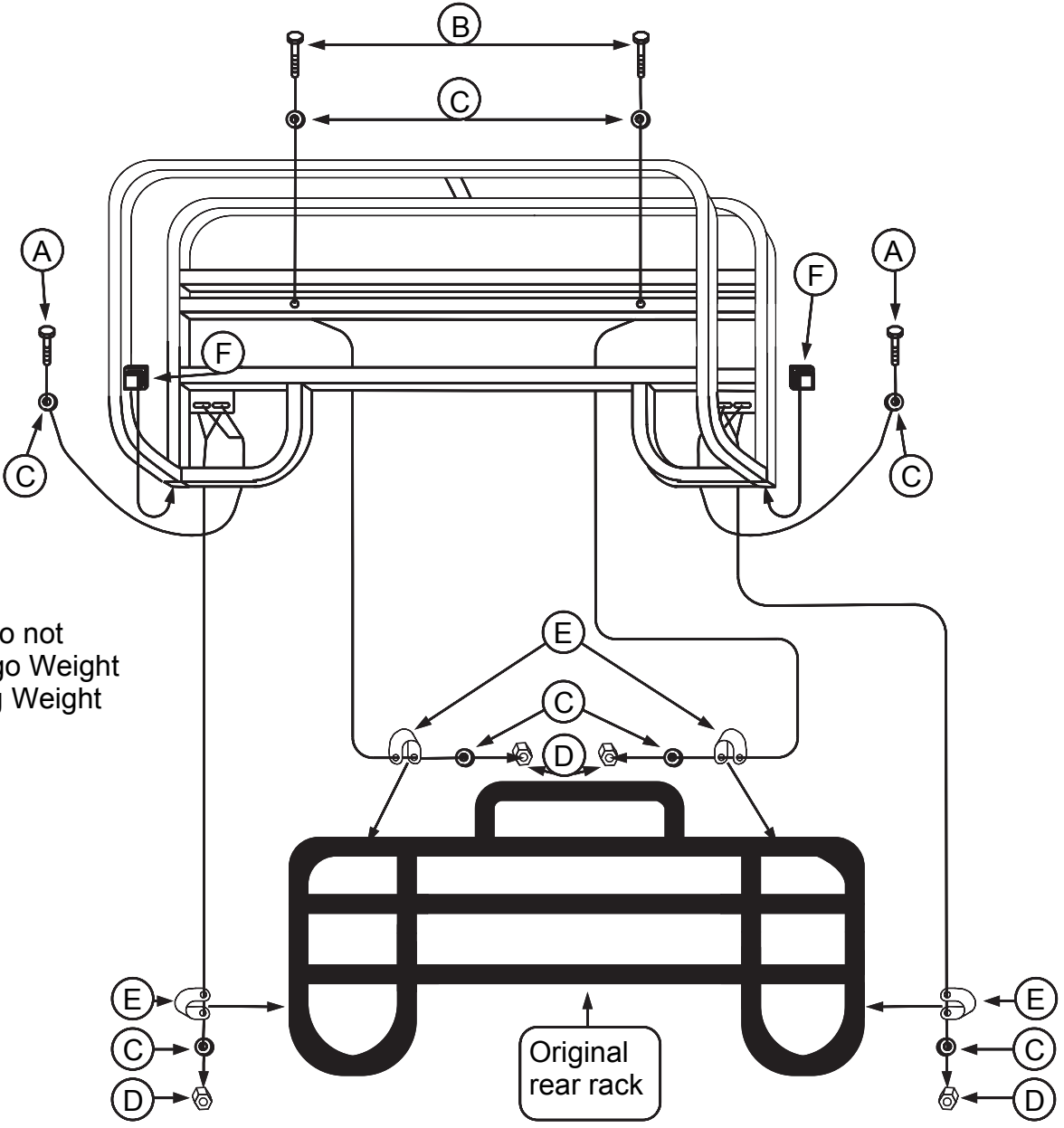


- A = 2 = 5/16 x 2 Bolts
- B = 2 = 5/16 x 2 3/4 Bolts
- C = 8 = 5/16 SAE.(Small) Flat Washers
- D = 4 = 5/16 Lock nut
- E = 4 = 1/8 x 1 x 3/4 Round Clip LONG (Two Square Holes in the clip !)
- F = 4 = 1" Plug

#525 L



Load Capacity - Do not exceed OEM Cargo Weight Capacity Including Weight of Rack (46 LBS.)

Original rear rack