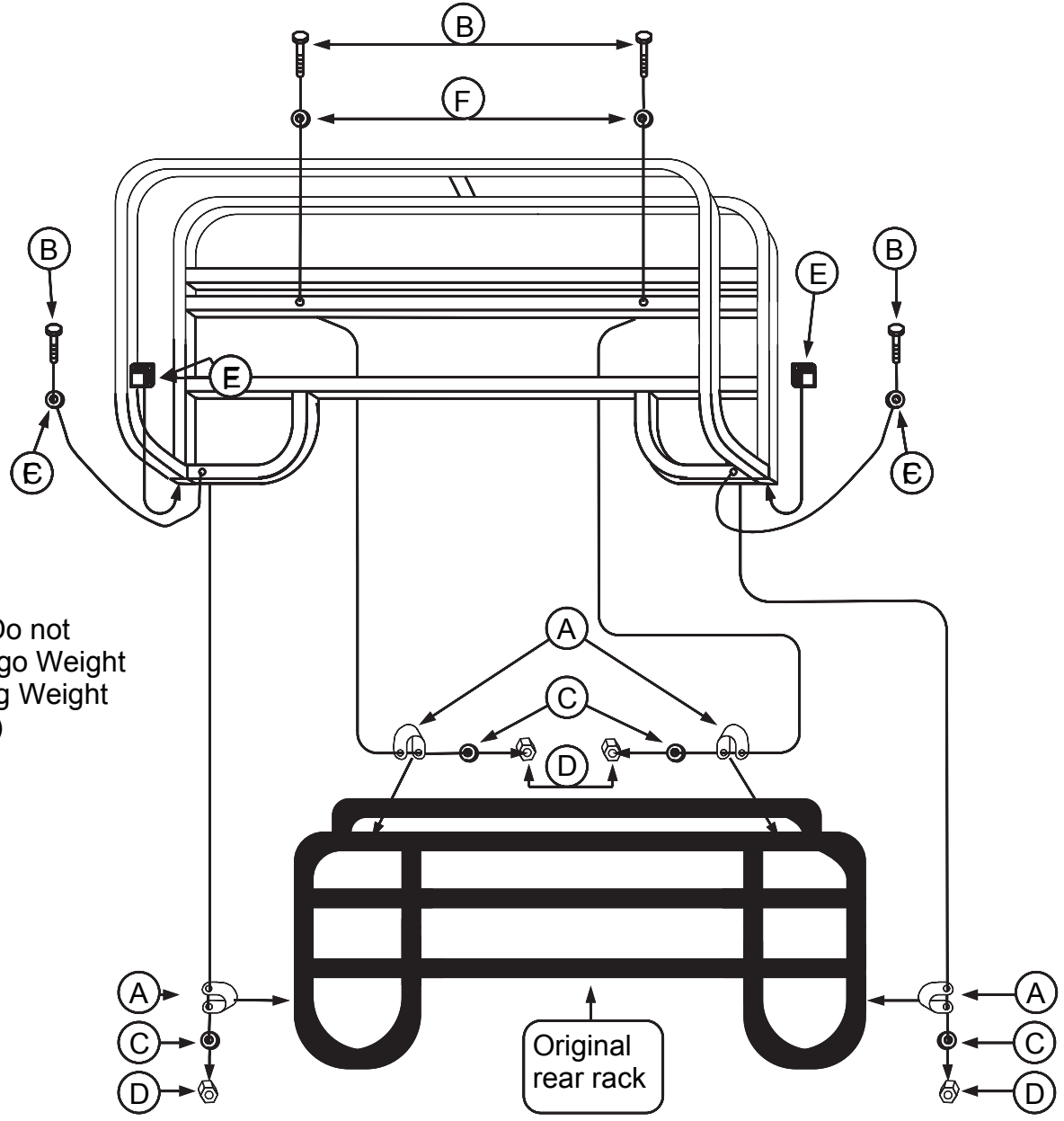


- A = 4 = 3/16 x 1 x 7/8 OVR (Oval Slot)
- B = 4 = 5/16 x 3 Bolts
- C = 4 = 5/16 SAE.(Small) Flat Washers
- D = 4 = 5/16 Lock nut
- E = 4 = 1" Plug
- F = 4 = 5/16 LARGE FLAT WASHERS

# #530L



Load Capacity - Do not exceed OEM Cargo Weight Capacity Including Weight of Rack (46 LBS.)