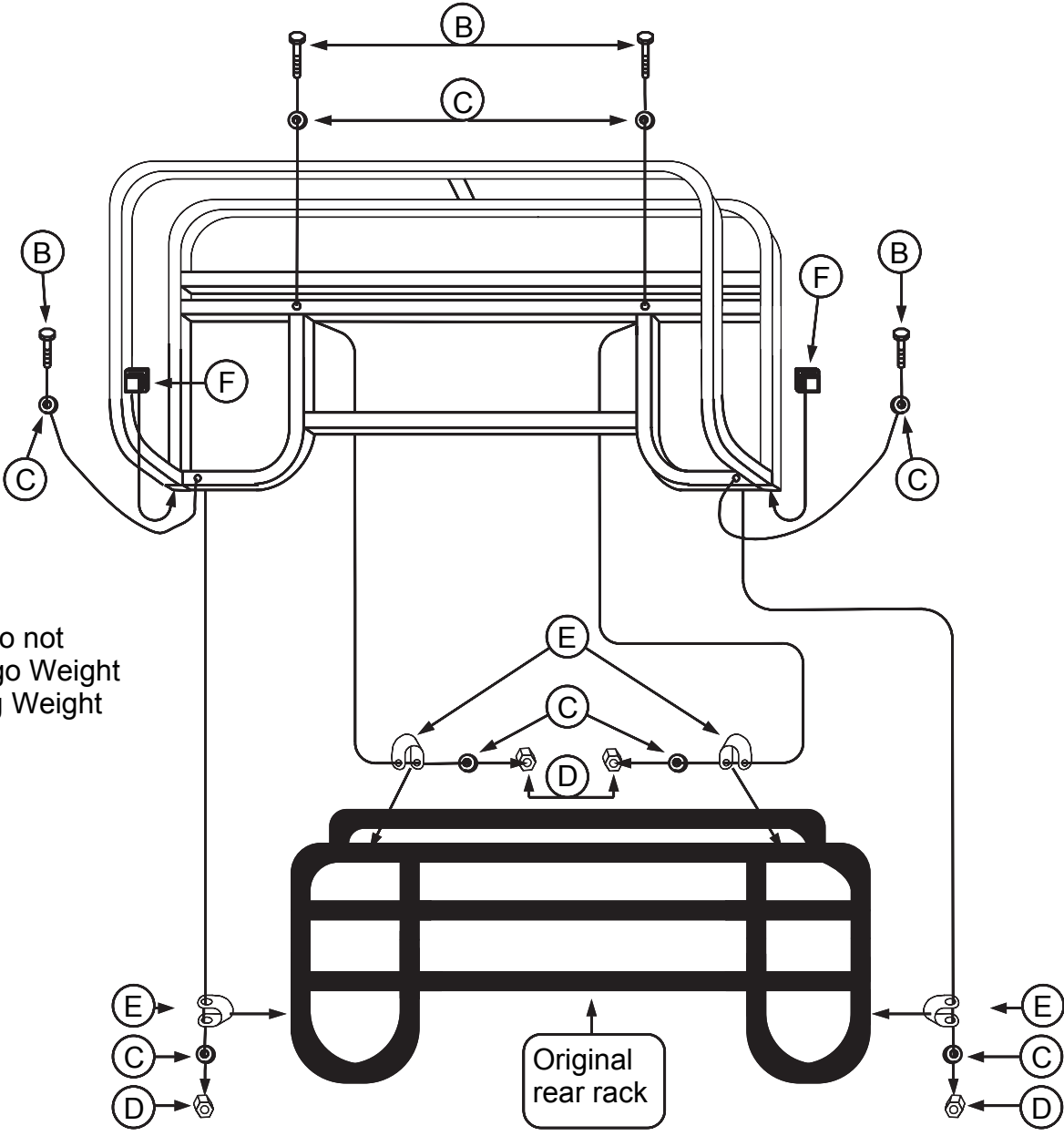


#537L

- B = 4 = 5/16 x 3 Bolts
- C = 8 = 5/16 SAE.(Small) Flat Washers
- D = 4 = 5/16 Lock nut
- E = 4 = 3/16 x 1 x 7/8 OVR (oval slot holes)
- F = 4 = 1" Plug

SUZUKI KING QUAD
 AND QUAD RUNNER
 GRIZZLY 600



Load Capacity - Do not exceed OEM Cargo Weight Capacity Including Weight of Rack (46 LBS.)