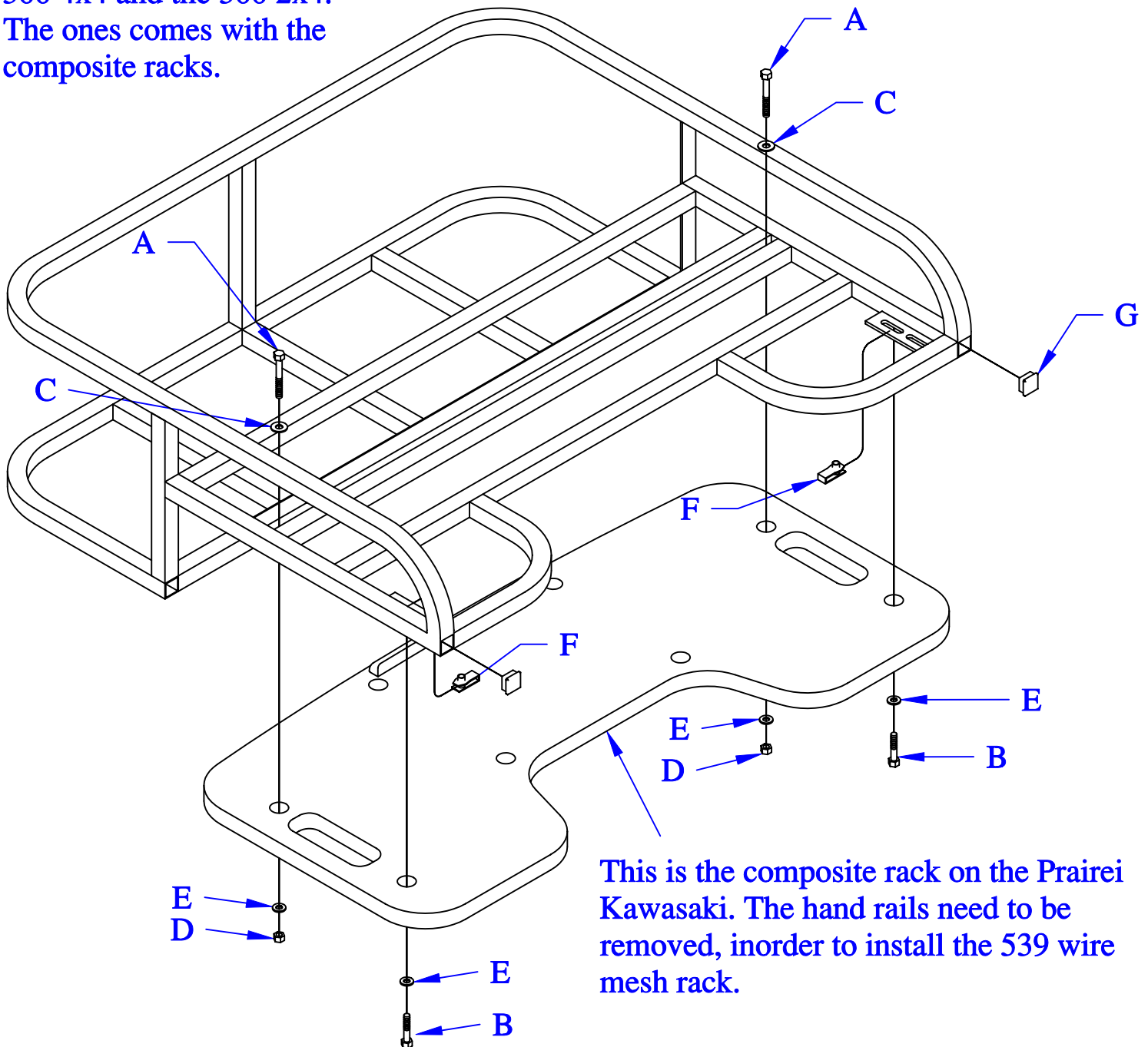




- 2 = 5/16 x 2 1/2 Bolt = A
- 2 = 5/16 x 1 3/4 Bolt = B
- 2 = 5/16 Large Flat Washer = C
- 2 = 5/16 Lock Nut = D
- 4 = 5/16 Small Flat Washers = E
- 2 = 5/16 U-Nut = F
- 4 = 1" Plugs = G

539L

This rear rack fits on the Kawasaki Prairie 400 4x4, 300 4x4 and the 300 2x4. The ones comes with the composite racks.



This is the composite rack on the Prairei Kawasaki. The hand rails need to be removed, in order to install the 539 wire mesh rack.