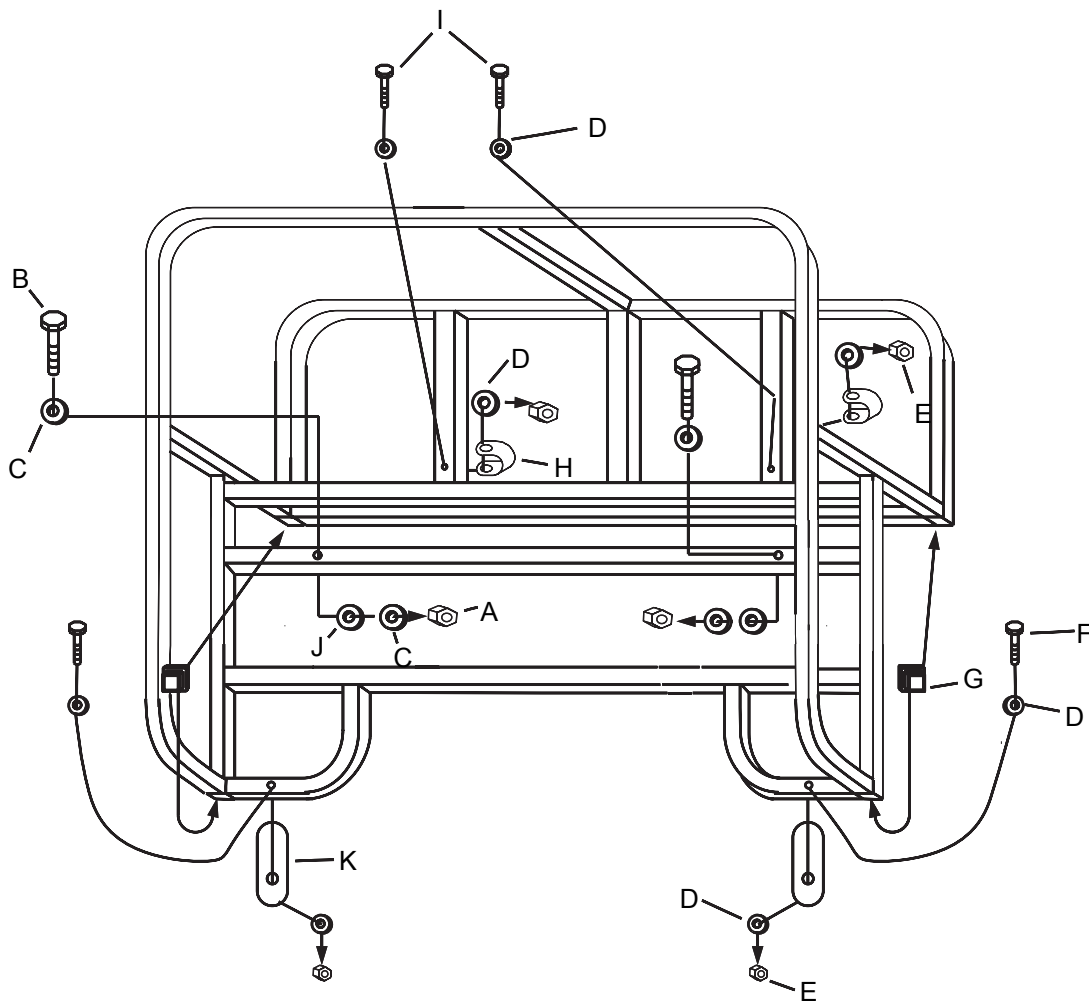


- 2 = 3/8 Lock Nuts-A
- 2 = 3/8 x3 Bolts-B
- 4 = 3/8 Flat Washers-C
- 8 = 5/16 (SAE) Flat Washers-D
- 4 = 5/16 Lock Nuts-E
- 2 = 5/16 x 2 3/4 Bolts-F
- 4 = 1" Plugs-G
- 2=1/8X1 1/4X1 1/2 ROUND CLIP-H
- 2=5/16X3 1/2 BOLTS-I
- 2=PLASTIC WASHERS BRAKE PEDAL YELLOW COLORED.-J

- 2 = 3/16 x 1 1/4 Flat Plates 2 1/2 long with one hole in it.-K



#555 L



THERE IS A YELLOWISH SPACER WASHER (J) THAT IS SUPPLIED TO SHIM THE RACK THIS WASHER MUST BE PLACED HOW THE PICTURE ILLUSTRATES.

THE CLIPS (H) WILL FASTEN TO THE REAR BUMPER ON THE ATV AS THE PICTURE SHOWS. THIS RACK WILL FIT THE POLARIS REMINGTON AND DUCKS UNLIMITED MODELS. THESE BIKES WILL HAVE TO HAVE THE REAR BUMPER TO MOUNT THE RACK TO.