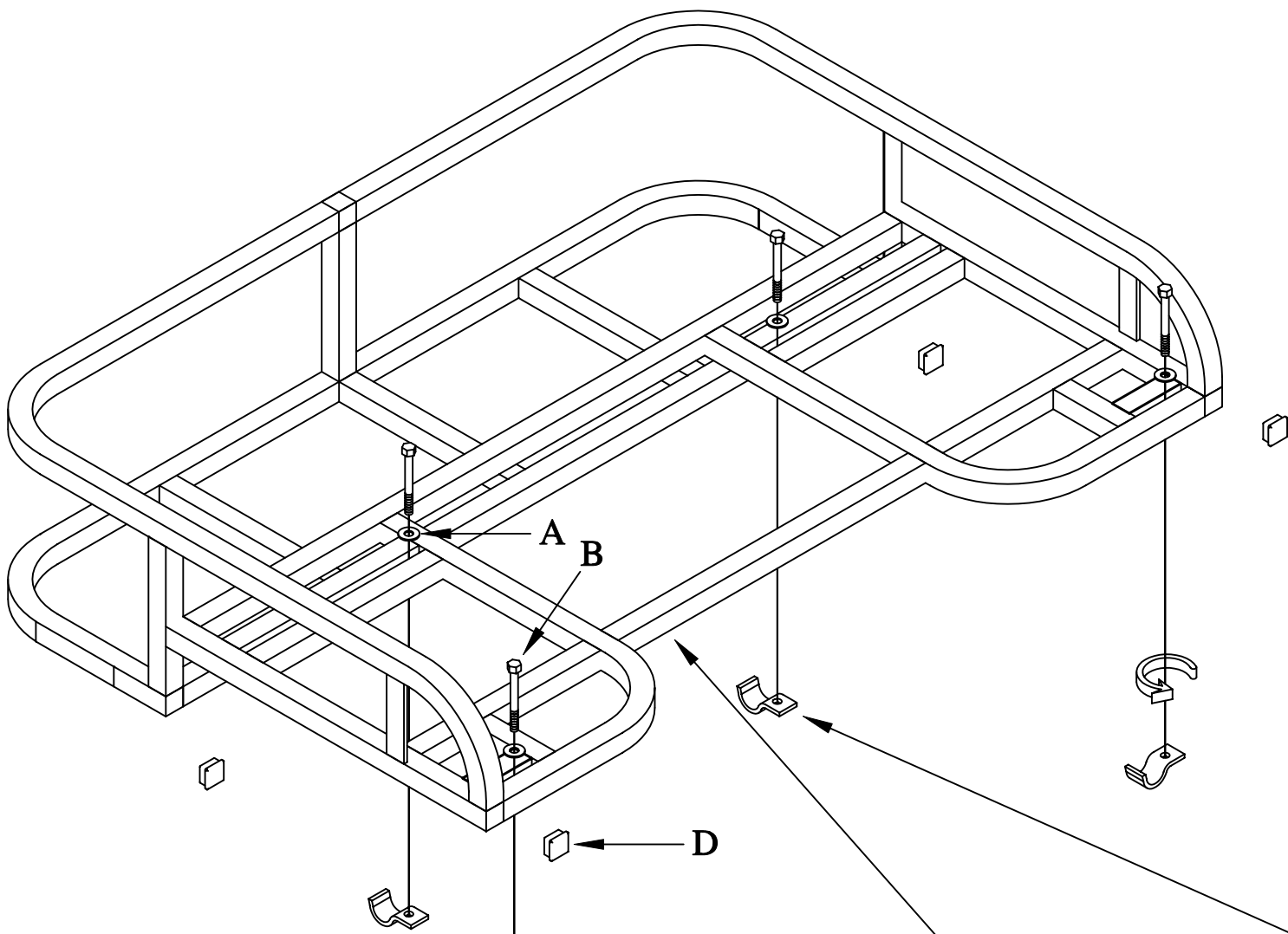


- 4=Gr. 8 (gold) 5/16 USS WASHERS-A
- 4=5/16 X 2 BOLTS -B
- 4=QC101 CLIPS-C
- 4=1" PLUGS-D



556L

HONDA RINCON 650 4X4



MAKE SURE THESE ARE THE 1" RADIUS CLIPS THE NUT WILL BE WELDED ON THE CLIPS SIDEWAYS ON THE CLIPS.

IN ORDER FOR THIS BAR TO CLEAR THE SEAT, MOUNT THE REAR CLIPS AS SHOWN IN PICTURE.