

14=5/16 USS WASHERS-A

5=5/16 X 2 BOLTS-B

4=1" PLUGS-C

2=5/16 X 1 U-BOLTS-D

9=5/16 LOCK NUTS-E

2=5/16 X 1 1/2 BOLTS-F

2=7/8 GALV. SPACERS-G

6=7/16 GALV. SPACERS-H

2=1/4 X 2 1/2 BOLTS-I

6=1/4 X 2 1/4 BOLTS-J

8=1/4 LOCK NUTS-K

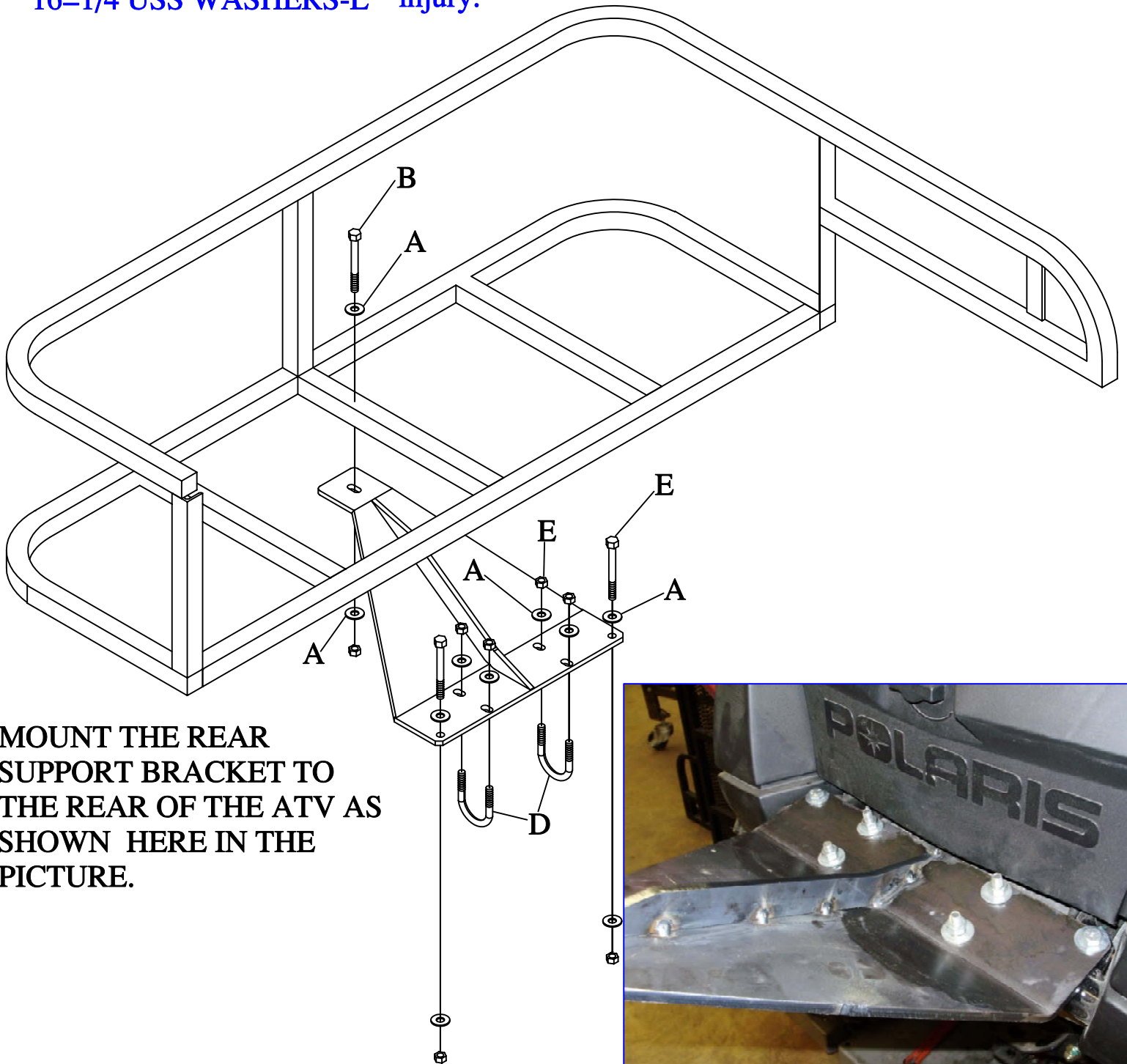
16=1/4 USS WASHERS-L



# # 567L

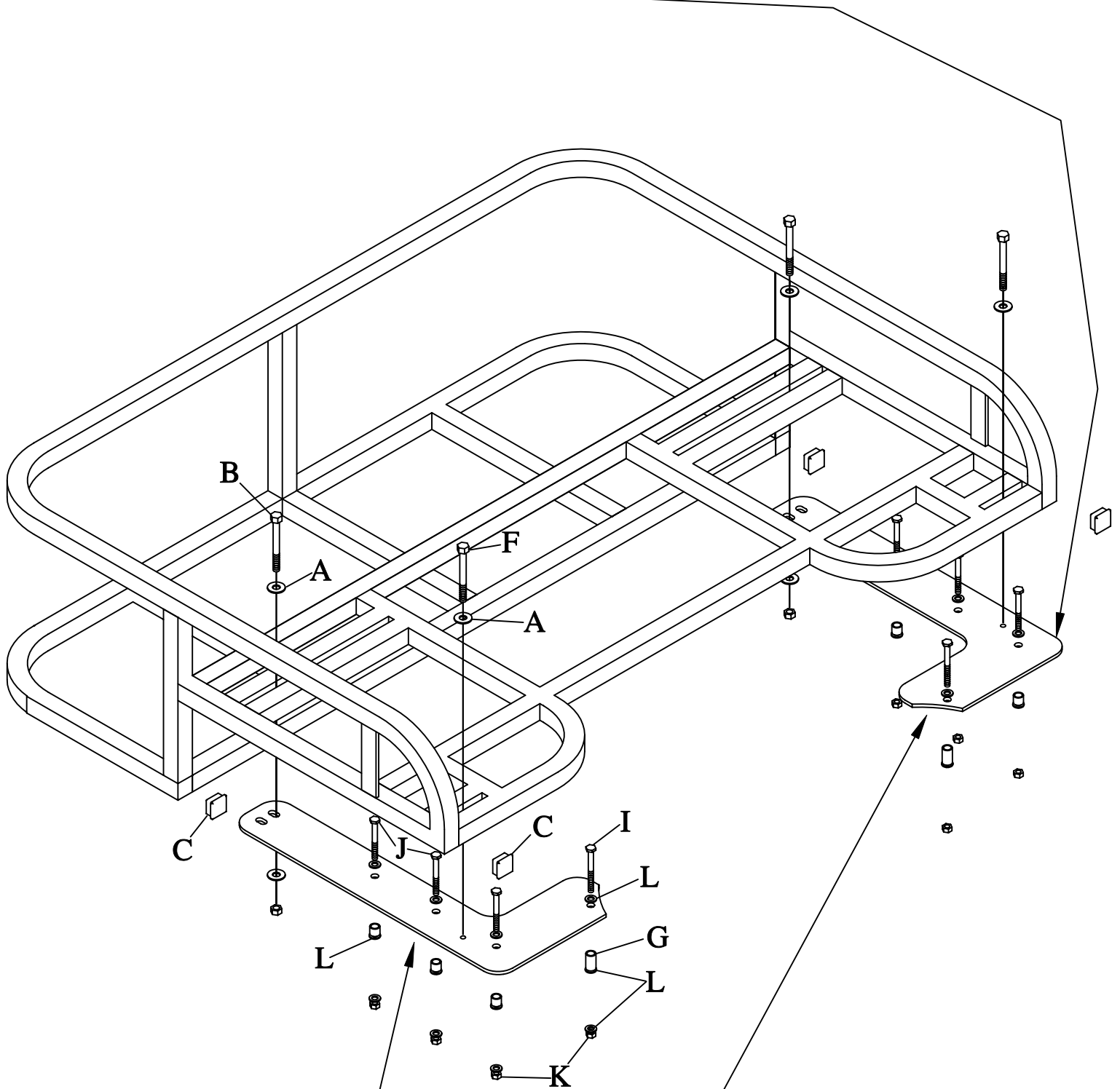
POLARIS SPORTSMAN 850XP / 550XP

**Caution: DO NOT  
USE AIR TOOLS** to  
install, may result to  
injury.



**MOUNT THE REAR  
SUPPORT BRACKET TO  
THE REAR OF THE ATV AS  
SHOWN HERE IN THE  
PICTURE.**

**MOUNT FRONT RACK BRACKETS TO THE REAR  
COMPOSITE RACK BEFORE INSTALLING THE RACK TO  
THE ATV.**



**REPEAT THE SAME PROCESS  
TO MOUNT THE OPPOSITE  
SIDE.**