

- A - Gr. 8 (gold) 5/16 USS WASHERS = 4
- B - 5/16 X 2 BOLTS = 4
- C - 3/16 X 1 X 7/8 QUICK CLIPS = 4
- D - 1" PLUGS = 4

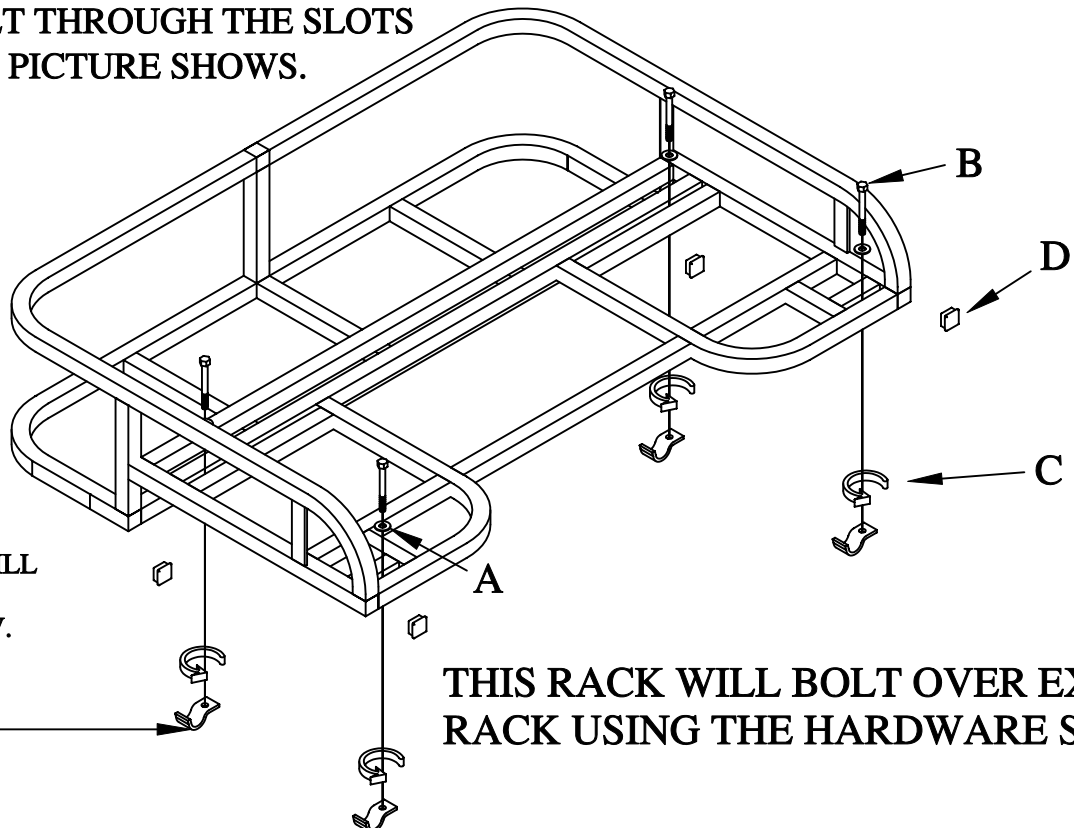


THE ULTIMATE IN RACK DESIGN !!!  
 MORE COVERAGE BEHIND SEAT.

# UNIVERSAL # 550M MINI DROP RACK

INTRODUCING THE NEW RACK DESIGN #550M. THIS IS A NEW MINI DROP REAR RACK, SIMPLY BOLT THROUGH THE SLOTS THAT SUPPLIED AS PICTURE SHOWS.

**Caution: DO NOT USE AIR TOOLS** to install, may result to injury.



THE NEW QUICK CLIP WILL FASTEN EITHER WAY DEPENDING ON THE ATV.

THIS RACK WILL BOLT OVER EXSITING RACK USING THE HARDWARE SHOWN.

- |                         |                            |                            |
|-------------------------|----------------------------|----------------------------|
| ARCTIC CAT 250 2X4      | HONDA 350ES 4X4            | SUZUKI QUAD MASTER 500 4X4 |
| ARCTIC CAT 250 4X4      | HONDA 400 4X4              | YAMAHA BIG BEAR 400 2X4    |
| ARCTIC CAT 300 2X4      | HONDA 450S 4X4             | YAMAHA BIG BEAR 400 4X4    |
| ARCTIC CAT 300 4X4      | HONDA 450ES 4X4            | YAMAHA KODIAK 400 4X4      |
| ARCTIC CAT 400 2X4      | HONDA 500 RUB. 4X4         | YAMAHA GRIZZLY 600 4X4     |
| ARCTIC CAT 400 4X4      | KAWASAKI 300 PRAIRIE 2X4   |                            |
| ARCTIC CAT 500 AUT.4X4  | KAWASAKI 400 PRAIRIE 2X4   | AND MANY MORE.             |
| ARCTIC CAT 500 STAN.4X4 | SUZUKI QUAD RUNNER 250 2X4 |                            |
| HONDA 350S 2X4          | SUZUKI QUAD RUNNER 250 4X4 |                            |
| HONDA 350S 4X4          | SUZUKI KING QUAD 300 4X4   |                            |
| HONDA 350ES 2X4         | SUZUKI QUAD RUNNER 500 4X4 |                            |