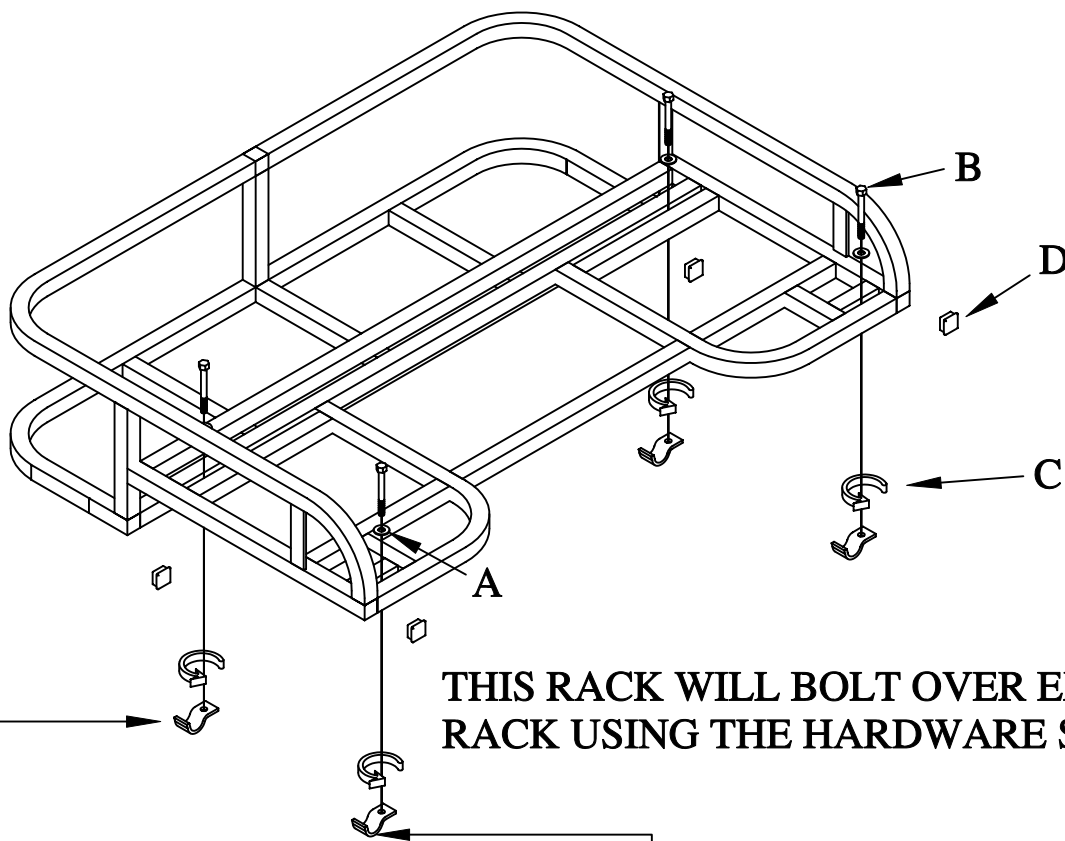


- A - Gr. 8 (gold) 5/16 USS WASHERS = 4
- B - 5/16 X 2 BOLTS = 4
- C - QC101 = 4
- D - 1" PLUGS = 4



560M HONDA FOREMAN 500 4X4

Caution: DO NOT USE AIR TOOLS to install, may result to injury.



THIS RACK WILL BOLT OVER EXSITING RACK USING THE HARDWARE SHOWN.

THE CLIP WILL FASTEN THROUGH THE FLAG POLE HOLE.

THE NEW QUICK CLIP WILL FASTEN EITHER WAY DEPENDING ON THE ATV.