

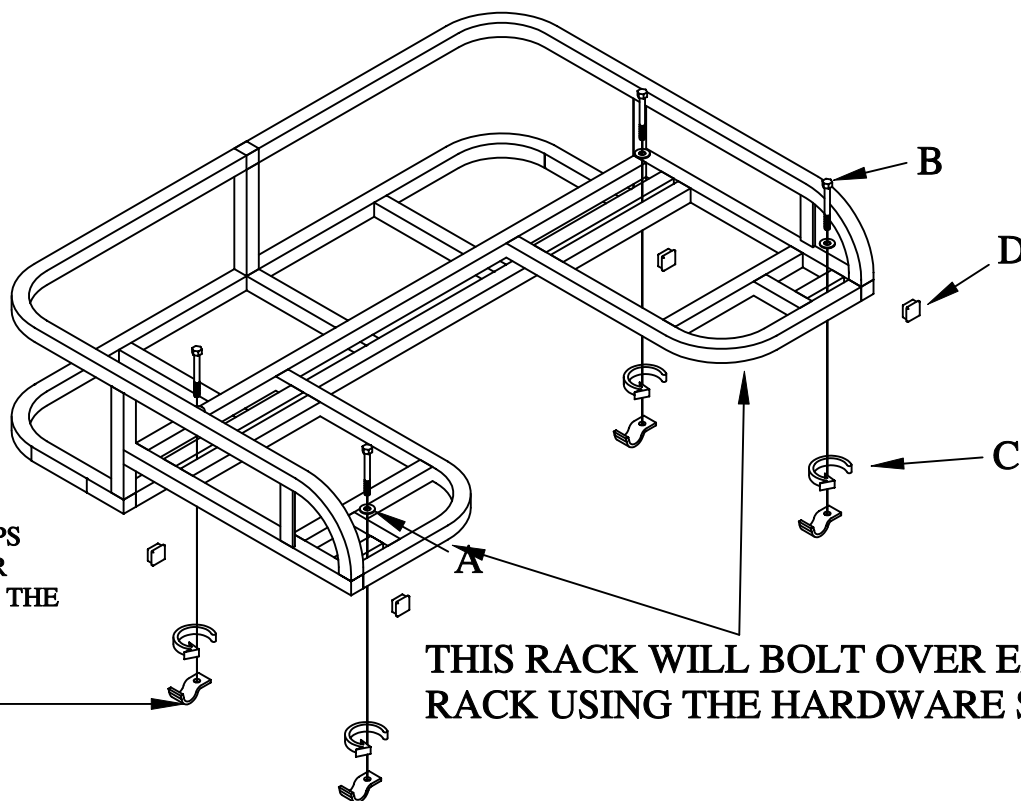
- A - Gr. 8 (gold) 5/16 USS WASHERS = 4
- B - 5/16 X 2 BOLTS = 4
- C - 3/16 X 1 X 7/8 QUICK CLIPS = 4
- D - 1" PLUGS = 4



#565M-W

CAN-AM'S 400-800'S

Caution: DO NOT USE AIR TOOLS to install, may result to injury.



THE NEW QUICK CLIPS WILL FASTEN EITHER WAY DEPENDING ON THE ATV.

THIS RACK WILL BOLT OVER EXSITING RACK USING THE HARDWARE SHOWN.