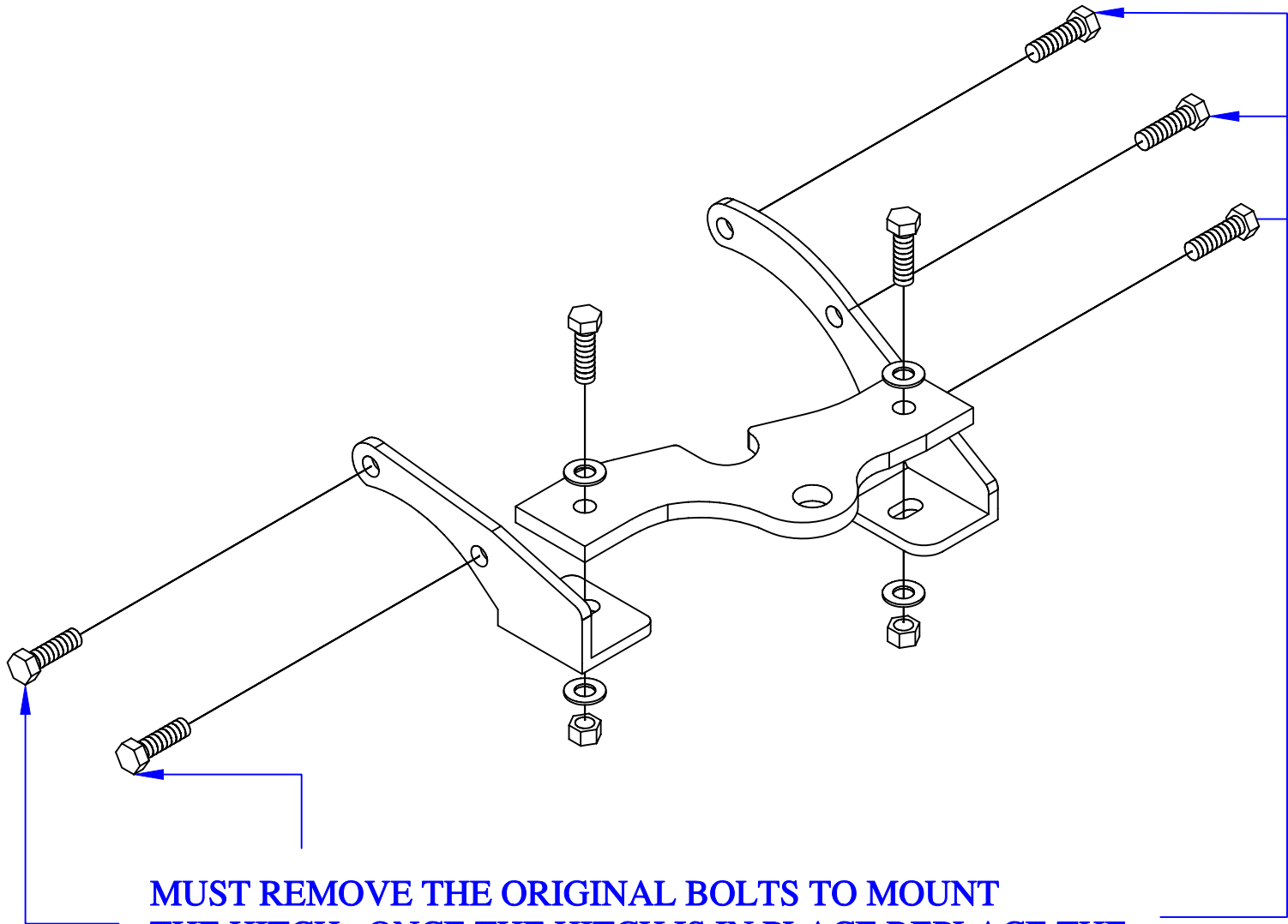


2=3/8X1 1/4 BOLTS-A
4=3/8 SAE SMALL WAHSERS-B
2=3/8 LOCK NUTS-C



#1255

KAWASAKI PRARIE 650 TRAILER HITCH



MUST REMOVE THE ORIGINAL BOLTS TO MOUNT THE HITCH. ONCE THE HITCH IS IN PLACE REPLACE THE BOLTS . (www.savantmfg.com)