

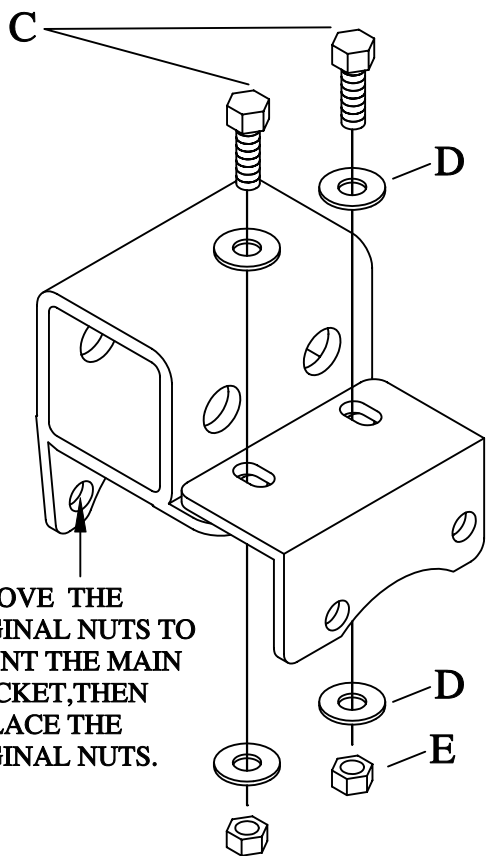
- 2=3/8X1 1/2" BOLTS-A
- 4=3/8 SAE WASHERS-B
- 2=5/16X1 BOLTS-C
- 4=5/16 USS WASHERS-D
- 2=5/16 LOCK NUTS-E
- 2=3/8 LOCK NUTS-F
- 2=3/8 SPACERS .840 OD X .546 ID
- SCH 80-G



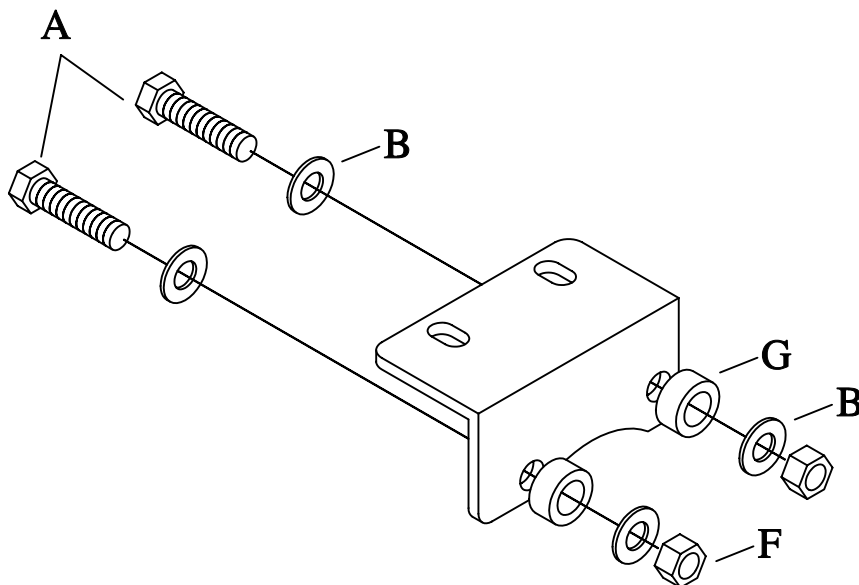
#RH100

RECEIVER HITCH FOR HONDA
450S/450ES MODELS....

THIS RECEIVER HITCH WILL USE THE HITCH OFF
OF ANY AUTOMOBILE RECEIVER HITCH.



REMOVE THE
ORIGINAL NUTS TO
MOUNT THE MAIN
BRACKET, THEN
REPLACE THE
ORIGINAL NUTS.



REMOVE THE STANDARD HITCH BRACKET
THAT IS SUPPLIED ON THE BIKE IF
DESIRED. THIS STOCK HITCH WILL NOT BE
NEEDED.

