

- 2=3/8 X 1 3/4" BOLTS-A
- 4=3/8 SAE WASHERS-B
- 2=5/16 X 1 BOLTS-C
- 4=5/16 USS WASHERS-D
- 2=5/16 LOCK NUTS-E
- 2=3/8 LOCK NUTS-F
- 2=1/2 SPACERS .840 OD X .546 ID
- SCH 80-G

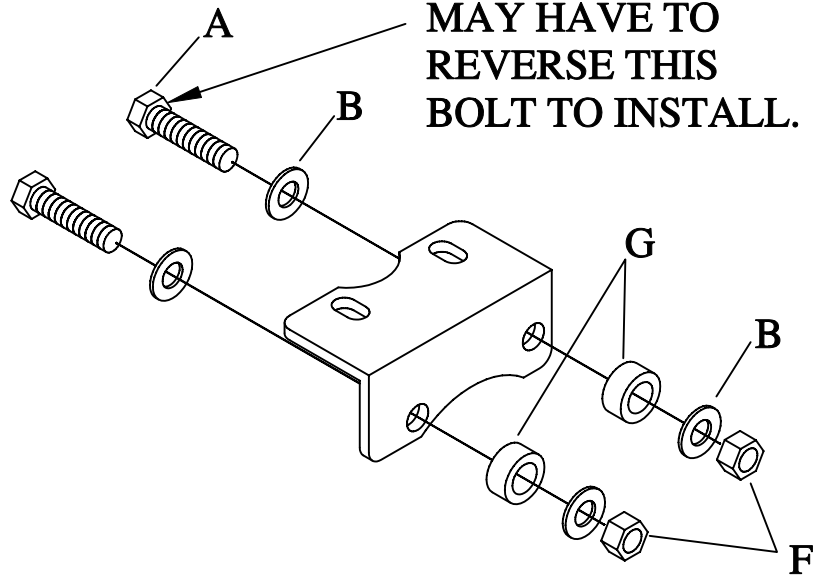
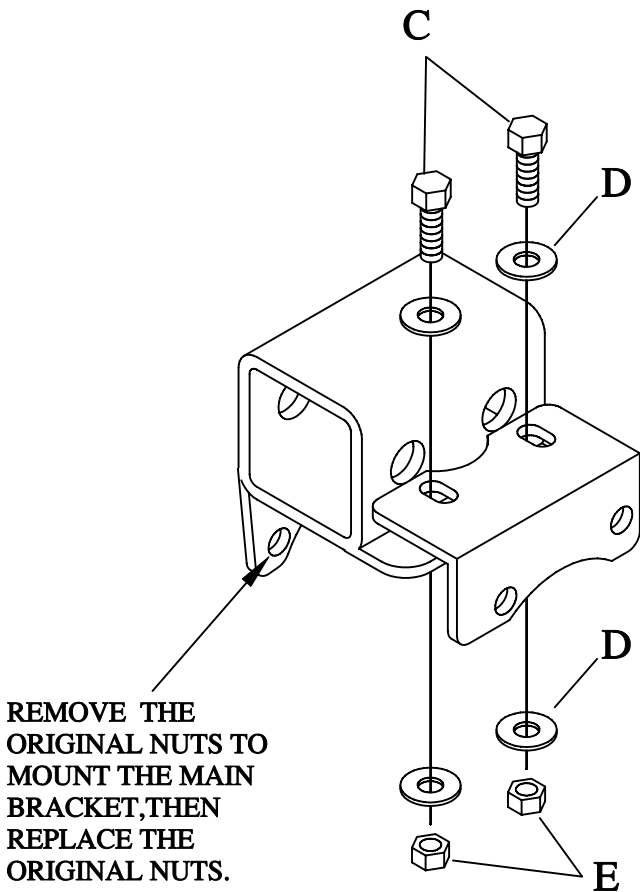


#RH102

RECEIVER HITCH HONDA
500 RUBICON 4X4

THIS RECEIVER HITCH WILL USE THE HITCH OFF
OF ANY AUTOMOBILE RECEIVER HITCH.

IF A HIGH LIFTER
LIFT KIT IS USED
MAY HAVE TO
REVERSE THIS
BOLT TO INSTALL.



REMOVE THE STANDARD HITCH BRACKET
THAT IS SUPPLIED ON THE BIKE IF
DESIRED. THIS STOCK HITCH WILL NOT BE
NEEDED.

