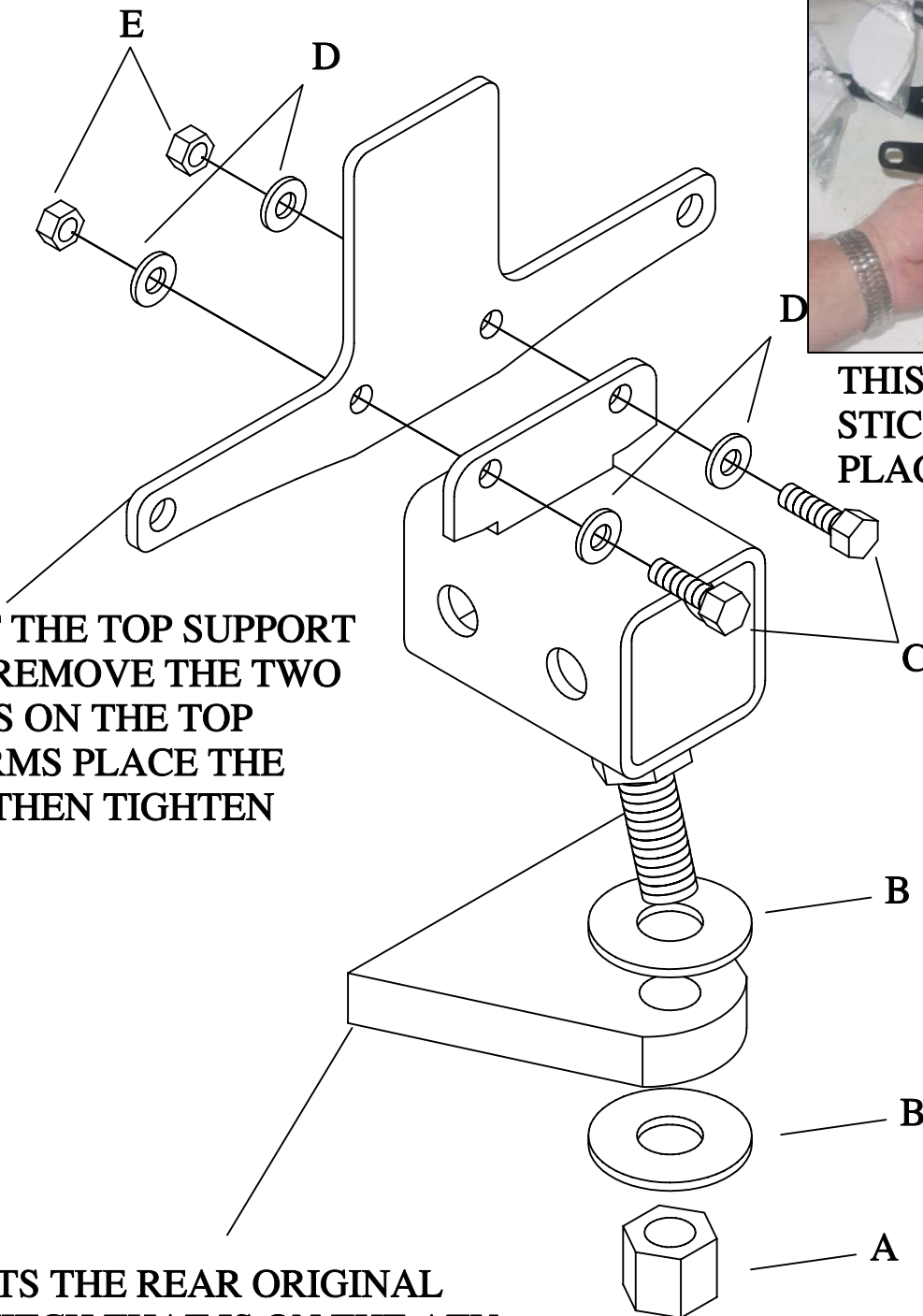


- 1=3/4 LOCK NUT-A
- 2=3/4 WASHERS-B
- 2=5/16 X 1 BOLTS-C
- 4=5/16 WASHERS-D
- 2=5/16 LOCK NUTS-E



#RH104

REAR RECEIVER MOUNT POLARIS SPORTSMAN 'S



THIS IS HOW THE STICKER SHOULD BE PLACED ON BRACKET.

TO MOUNT THE TOP SUPPORT BRACKET REMOVE THE TWO LOCK NUTS ON THE TOP REAR A-ARMS PLACE THE BRACKET THEN TIGHTEN THE NUTS.

REPRESENTS THE REAR ORIGINAL TRAILER HITCH THAT IS ON THE ATV.