

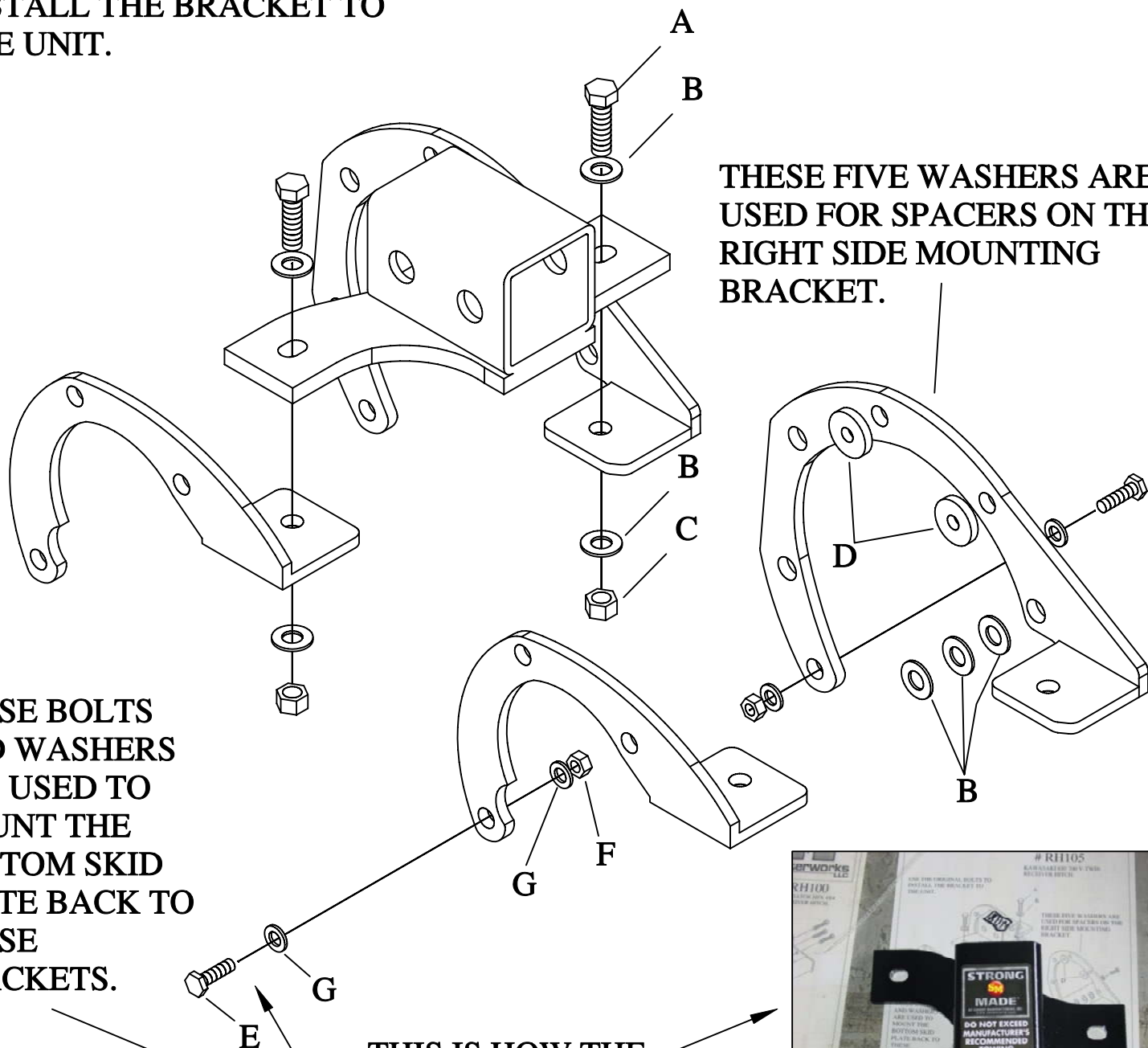
- 2=3/8X1 1/4 BOLTS-A
- 7=3/8 SAE WASHERS-B
- 2=3/8 LOCK NUTS-C
- 2=3/16 X 1 ZINC WASHERS-D
- 2=1/4X7/8 BOLTS-E
- 2=1/4 LOCK NUTS-F
- 4=1/4 USS WASHERS-G



# # RH105

KAWASAKI 650 700 V-TWIN  
RECEIVER HITCH.

USE THE ORIGINAL BOLTS TO  
INSTALL THE BRACKET TO  
THE UNIT.



THESE FIVE WASHERS ARE  
USED FOR SPACERS ON THE  
RIGHT SIDE MOUNTING  
BRACKET.

THESE BOLTS  
AND WASHERS  
ARE USED TO  
MOUNT THE  
BOTTOM SKID  
PLATE BACK TO  
THESE  
BRACKETS.

THIS IS HOW THE  
STICKER SHOULD BE  
PLACED ON BRACKET.

