

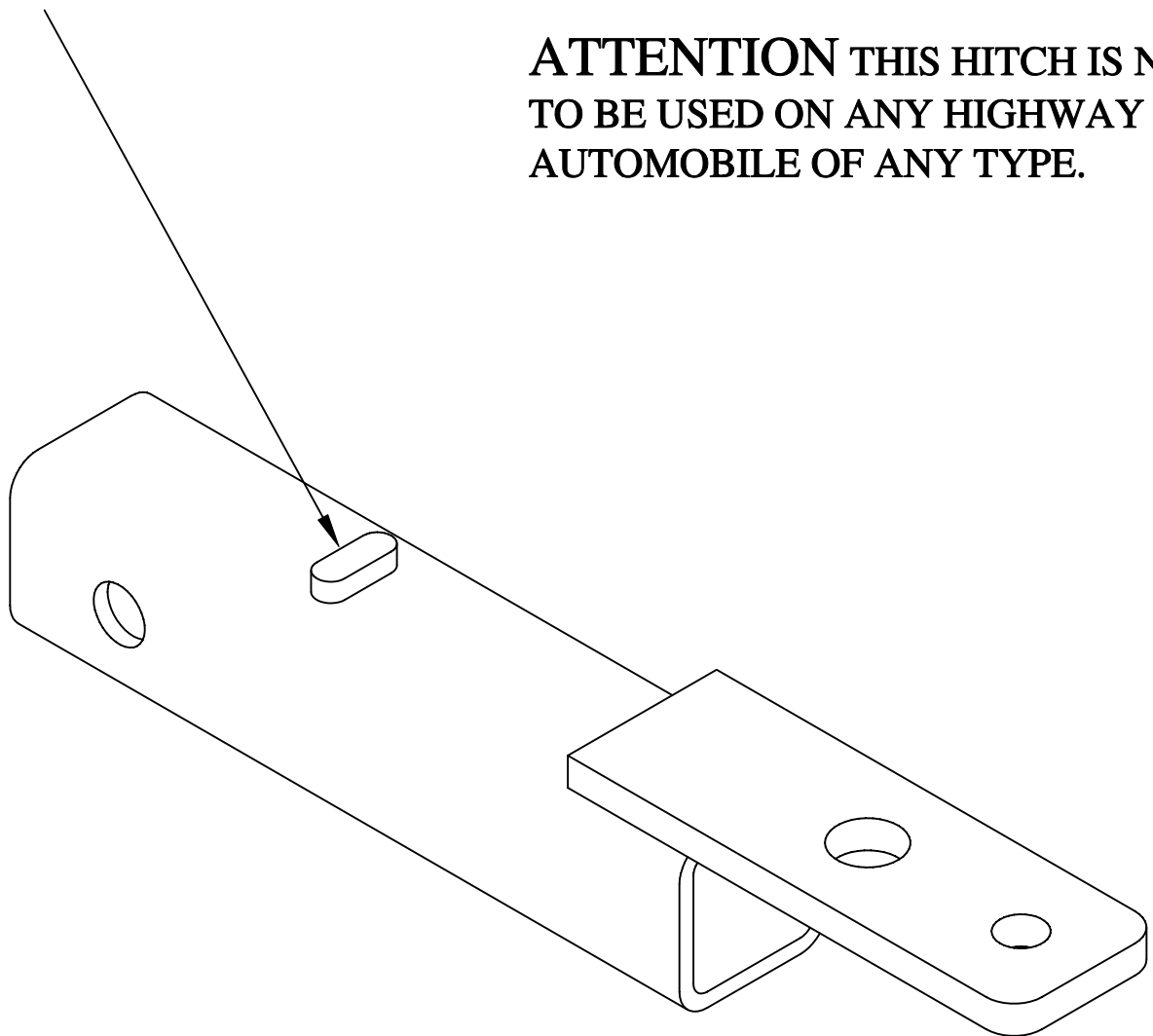
- 1= 5/8" HITCH PIN
- 1= HITCH PIN CLIP



THERE IS A STOP THAT IS WELDED ON A SPECIFIC SPOT ON THE 2" TUB. THIS IS NOT TO BE REMOVED.

#BINSRTL100

ATTENTION THIS HITCH IS NOT TO BE USED ON ANY HIGHWAY AUTOMOBILE OF ANY TYPE.



MANUFACTURED BY SAVANT MFG.