

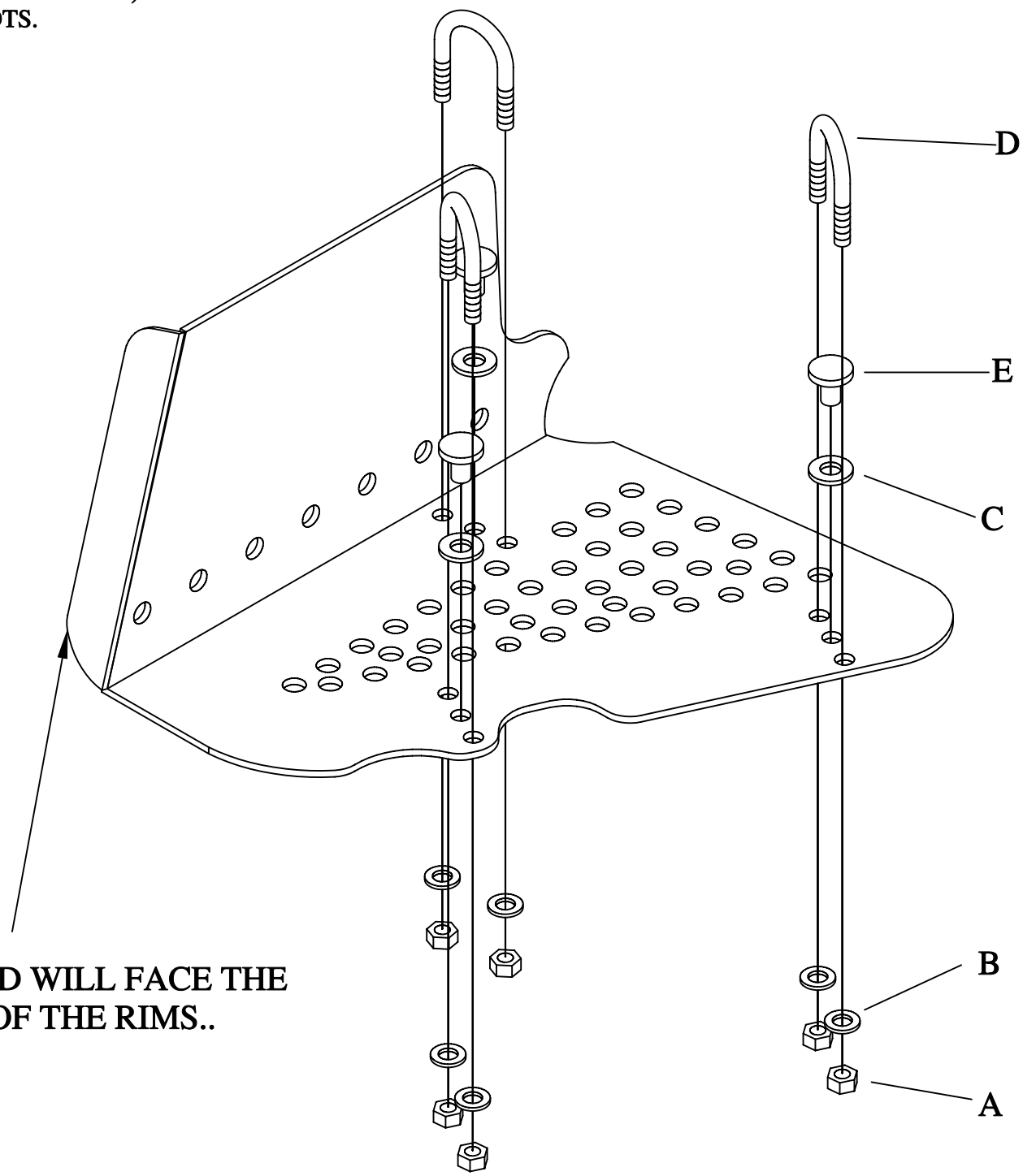
- 12 = 1/4 LOCK NUTS-A
- 12 = 1/4 SAE WASHERS-B
- 6 = 5/16 SAE WASHERS-C
- 6 = 1/4 X 1/2 U-BOLTS-D
- 6 = #16LB TINNER RIVETS-E



# #SS124H

## POLARIS MODELS

EVEN THOUGH THE NEW BOOT GUARDS YOU HAVE PURCHASED WILL COVER MORE THAN THE ORIGINAL PLASTIC GUARDS. BOOTS HAVE BEEN REPORTED TO BE TORN IN SOME CONDITIONS .DUE TO THE TURING RADIUS ON SOME OF THE NEWER ATV'S. THE BOOT PROTECTORS HAVE BEEN MANUFACTURED SMALLER TO ALLOW FOR A TIGHTER TURING RADIUS. SAVANT MFG. (STRONG MADE) DOES NOT WARRANTY AND TORN BOOTS.



THIS END WILL FACE THE INSIDE OF THE RIMS..