

6=1/4X3/4 U BOLTS-A
12=1/4 LOCK NUTS-B
12=1/4 SAE FLAT
WASHERS-C

6=1/4X1 YELLOW
SQUARE U-BOLTS-D

THE SS129 MOUNTS ON TOP
OF THE REAR A ARM, U
BOLTS COME FROM UNDER
THE A ARM .

SOME SPORTSMAN 500 600
700 4X4 WILL HAVE ROUND
A-ARMS AND SOME WILL
HAVE SQUARE A-ARMS. USE
THE ROUND OR SQUARE
U-BOLTS DEPENDING ON
WHAT MODEL THAT YOU
HAVE.

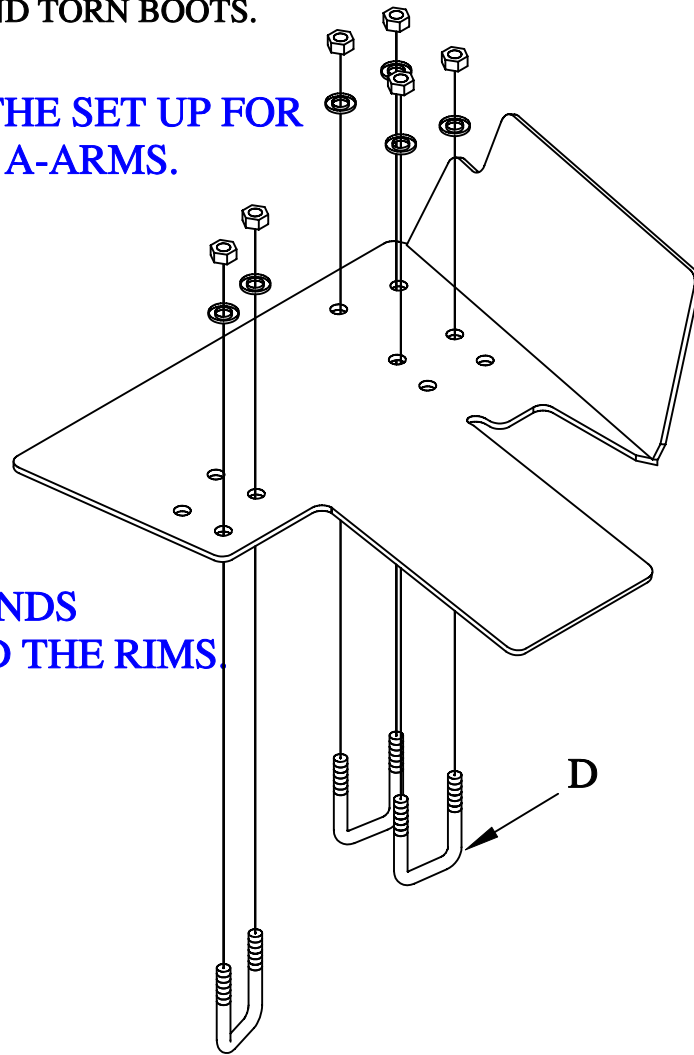
MAKE SURE THAT ALL
U-BOLTS ARE CLEAR OF
ALL BRAKE LINES TO THE
REAR BRAKE CALIBER.



#SS129H POLARIS 500 600 700 SPORTSMAN REAR STICK STOPPER

EVEN THOUGH THE NEW BOOT GUARDS YOU HAVE
PURCHASED WILL COVER MORE THAN THE
ORIGINAL PLASTIC GUARDS. BOOTS HAVE BEEN
REPORTED TO BE TORN IN SOME CONDITIONS.
SAVANT MFG. (STRONG MADE) DOES NOT
WARRANTY AND TORN BOOTS.

THIS IS THE SET UP FOR
SQUARE A-ARMS.

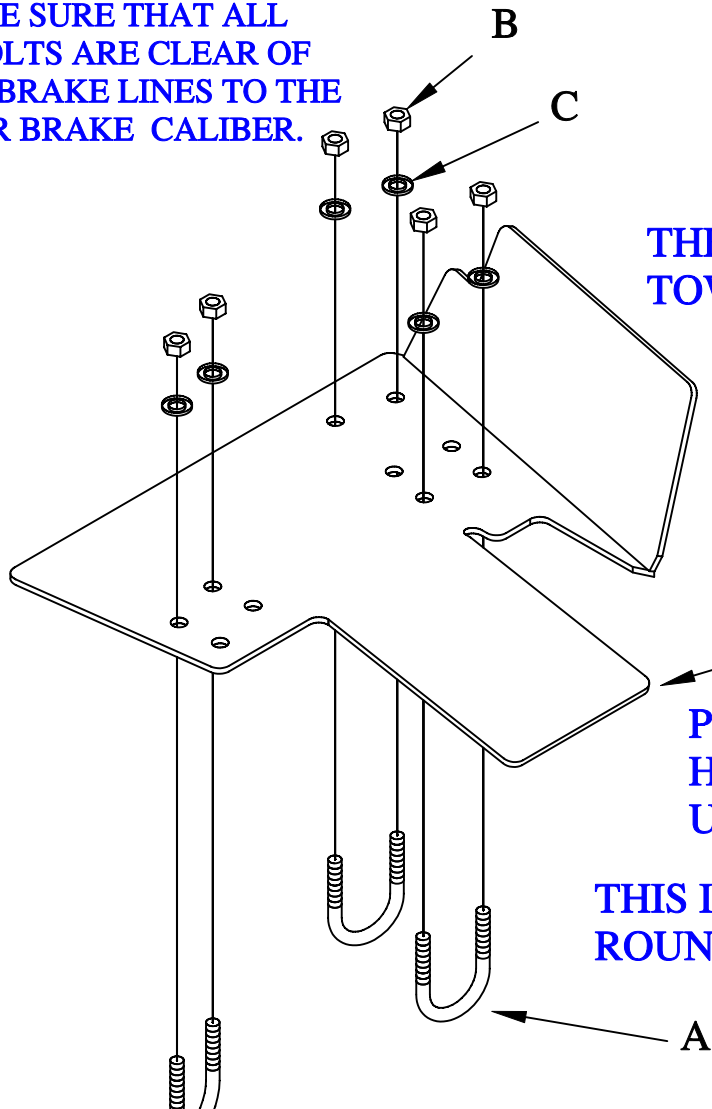


THESE ENDS
TOWARD THE RIMS

PAY ATTENTION TO WHAT
HOLES THAT YOU ARE
USEING FOR WHAT SET UP.

THIS IS THE SET UP FOR THE
ROUND A-ARMS.

ANY QUESTIONS
CALL:1-800-326-6880



A