

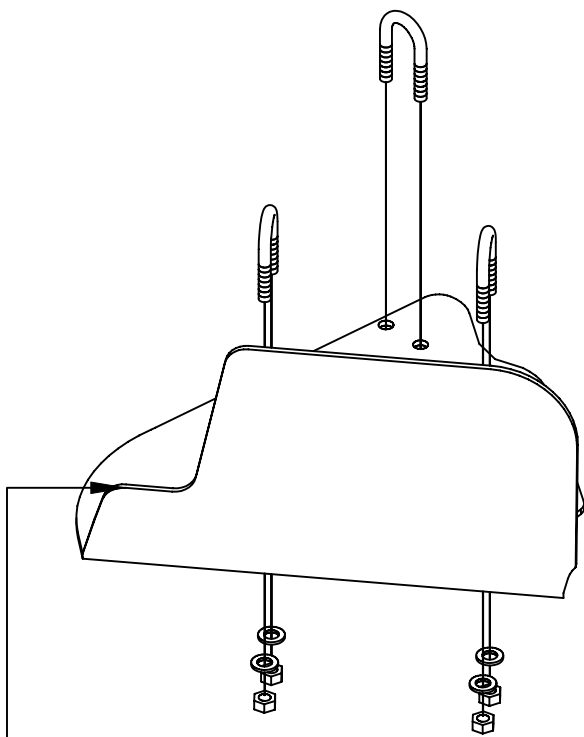
6=1/4X3/8 U-BOLTS
12=1/4 LOCK NUTS
12=1/4 SAE WASHERS



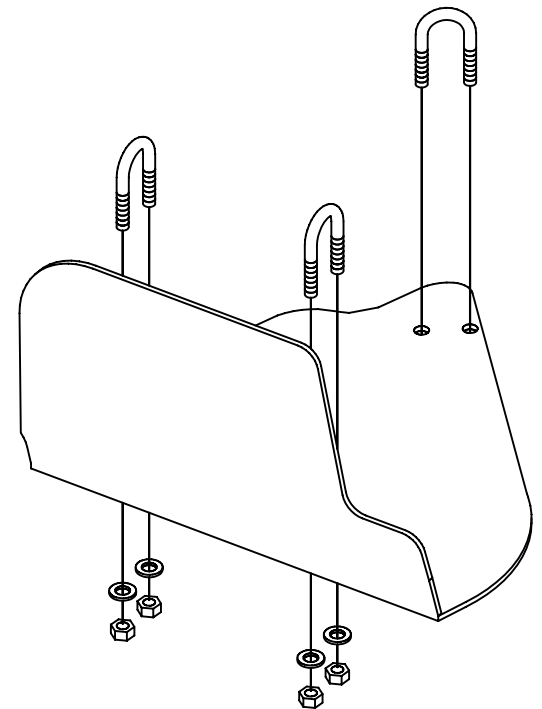
SS140

2003 YAMAHA 450 KODIAK

EVEN THOUGH THE NEW BOOT GUARDS YOU HAVE PURCHASED WILL COVER MORE THAN THE ORIGINAL PLASTIC GUARDS. BOOTS HAVE BEEN REPORTED TO BE TORN IN SOME CONDITIONS .DUE TO THE TURNING RADIUS ON SOME OF THE NEWER ATV'S. THE BOOT PROTECTORS HAVE BEEN MANUFACTURED SMALLER TO ALLOW FOR A TIGHTER TURNING RADIUS. SAVANT MFG. (STRONG MADE) DOES NOT WARRANTY AND TORN BOOTS.



THIS END WILL FACE THE INSIDE OF THE RIMS.



THE SS140 WILL BOLT FROM UNDER THE A-ARMS. REMOVE THE PLASTIC FACTORY SHIELDS TO INSTALL THE SS140.