

4=1/4 X 1 YELLOW U-BOLTS-A

8=1/4 LOCK NUTS-B

8=1/4 SAE WASHERS-C

4=#16 TINNER RIVETS-D

4=5/16 SAE WASHERS-E

2=5/16 X 2 1/2" BOLTS-F

2= 5/16 LOCK NUTS-G

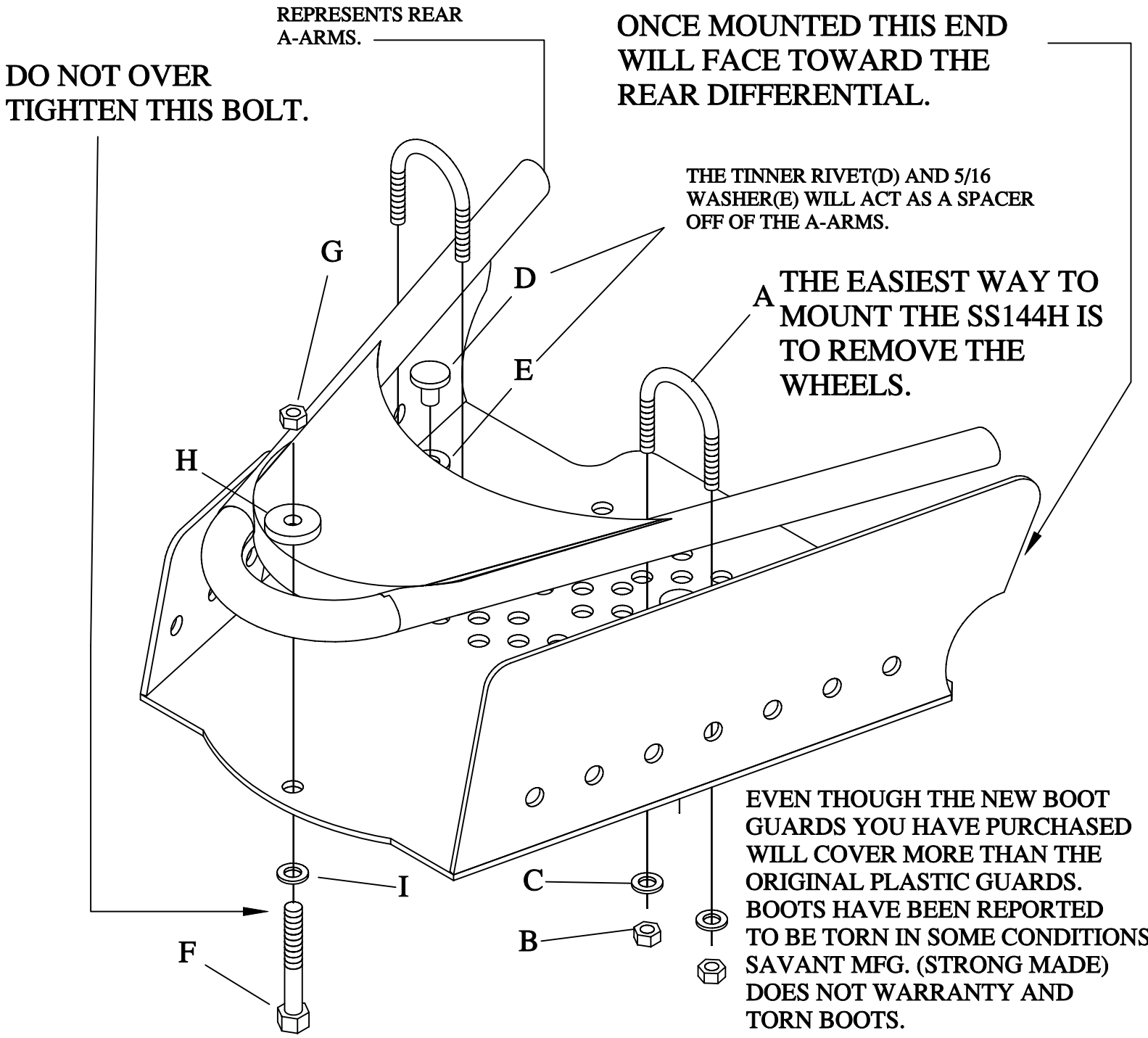
2=3/16 X 1 ZINC PLATED WASHERS-H

2=5/16 USS WASHERS-I



#SS144H-AL

YAMAHA RINO 660 4X4 REAR STICK STOPPERS



REPRESENTS REAR A-ARMS.

DO NOT OVER TIGHTEN THIS BOLT.

ONCE MOUNTED THIS END WILL FACE TOWARD THE REAR DIFFERENTIAL.

THE TINNER RIVET(D) AND 5/16 WASHER(E) WILL ACT AS A SPACER OFF OF THE A-ARMS.

A THE EASIEST WAY TO MOUNT THE SS144H IS TO REMOVE THE WHEELS.

EVEN THOUGH THE NEW BOOT GUARDS YOU HAVE PURCHASED WILL COVER MORE THAN THE ORIGINAL PLASTIC GUARDS. BOOTS HAVE BEEN REPORTED TO BE TORN IN SOME CONDITIONS. SAVANT MFG. (STRONG MADE) DOES NOT WARRANTY AND TORN BOOTS.