

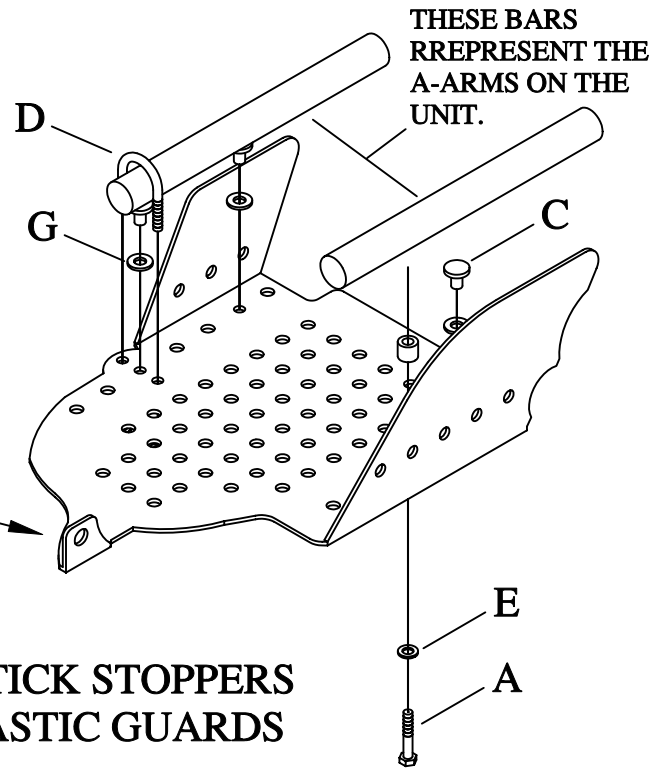
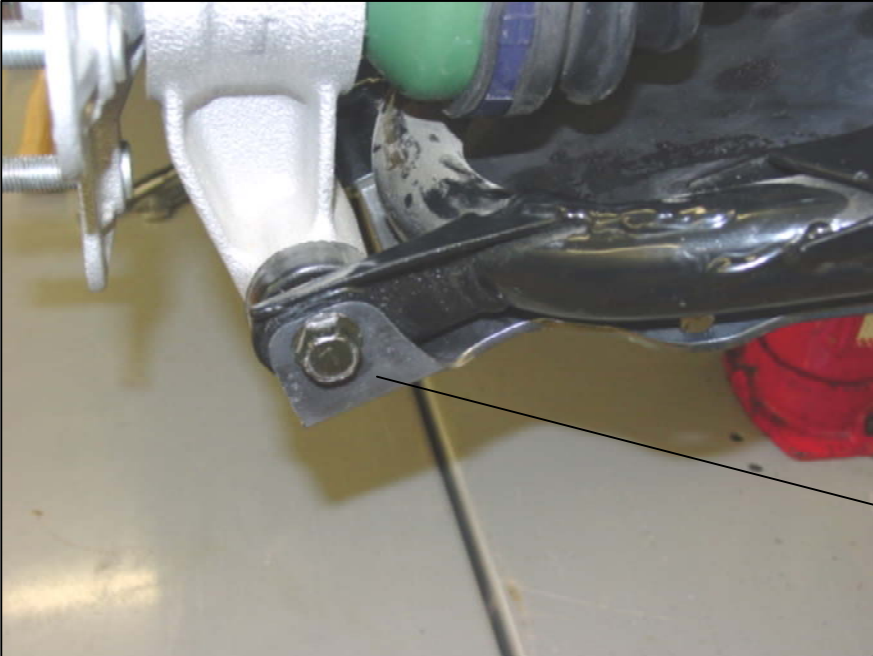
- 2=6MM X 40MM X1 BOLTS-A
- 2=1/4 GALV. SPACERS 1/2" LONG-B
- 6=TANNER RIVETS-C
- 2=1/4 X 3/4 U-BOLTS-D
- 6=1/4 SAE WASHERS-E
- 4=1/4 LOCK NUTS-F
- 6=5/16 SAE WASHERS-G



#SS148H

KAWASAKI 750 BRUTE FORCE REAR STICK STOPPERS.

EVEN THOUGH THE NEW BOOT GUARDS YOU HAVE PURCHASED WILL COVER MORE THAN THE ORIGINAL PLASTIC GUARDS. BOOTS HAVE BEEN REPORTED TO BE TORN IN SOME CONDITIONS. SAVANT MFG. (STRONG MADE) DOES NOT WARRANTY AND TORN BOOTS.



THE EASIEST WAY TO INSTALL THE SS148H STICK STOPPERS ARE TO REMOVE THE REAR WHEELS. THE PLASTIC GUARDS MUST BE REMOVED TO MOUNT THE SS148H.

