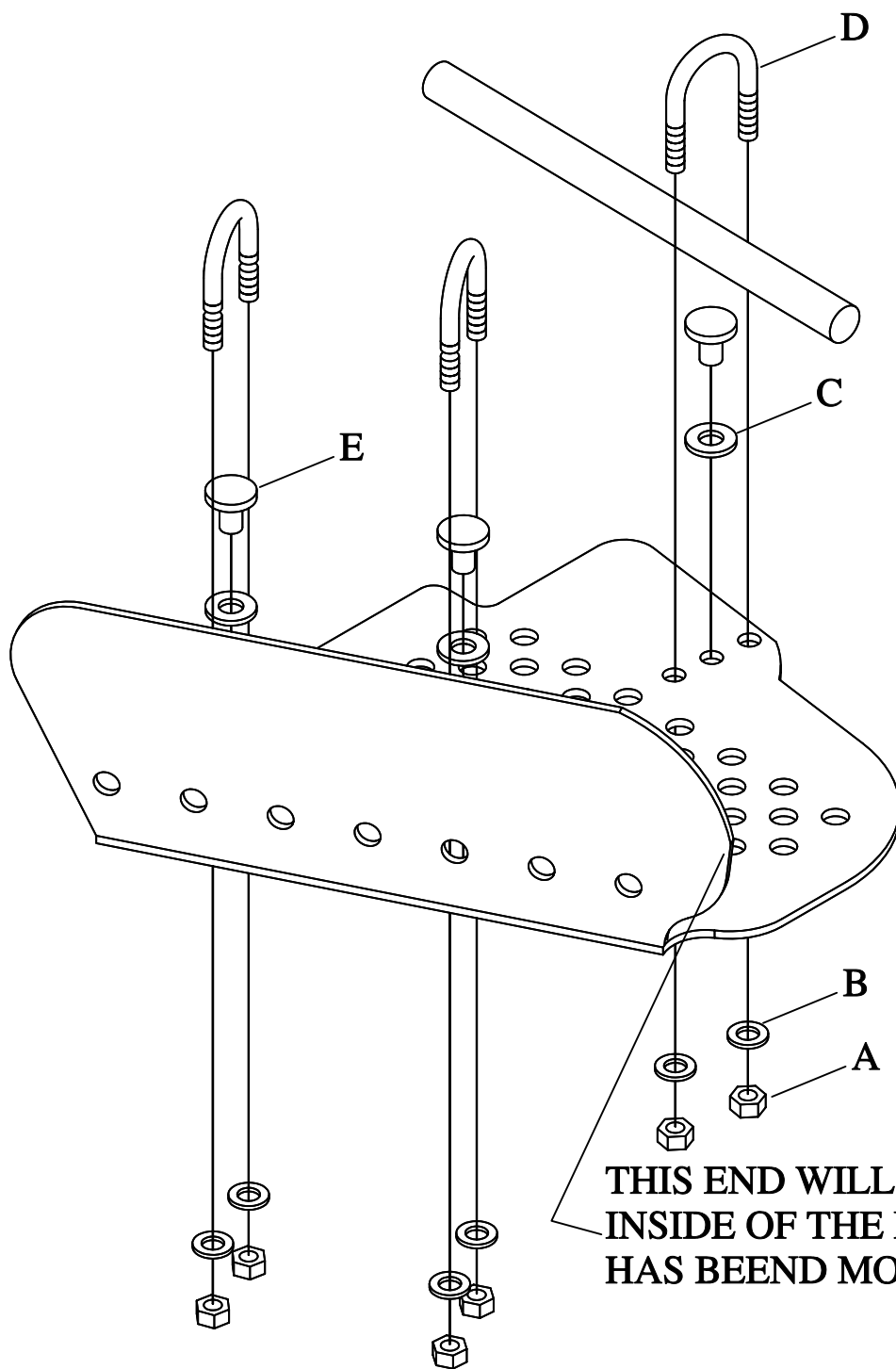


- 12 = 1/4 LOCK NUTS-A
- 12 = 1/4 SAE WASHERS-B
- 6 = 5/16 SAE WASHERS-C
- 6 = 1/4 X 1/2 U-BOLTS-D
- 6 = #16LB TINNER RIVETS-E



SS151H

SUZUKI KING QUAD 700 4X4



THIS END WILL FACE THE
INSIDE OF THE RIM ONCE IT
HAS BEEN MOUNTED.