

- 12 = 1/4 LOCK NUTS-A
- 12 = 1/4 SAE WASHERS-B
- 6 = 5/16 SAE WASHERS-C
- 6 = 1/4 X 1/2 U-BOLTS-D
- 6 = #16LB TINNER RIVETS-E

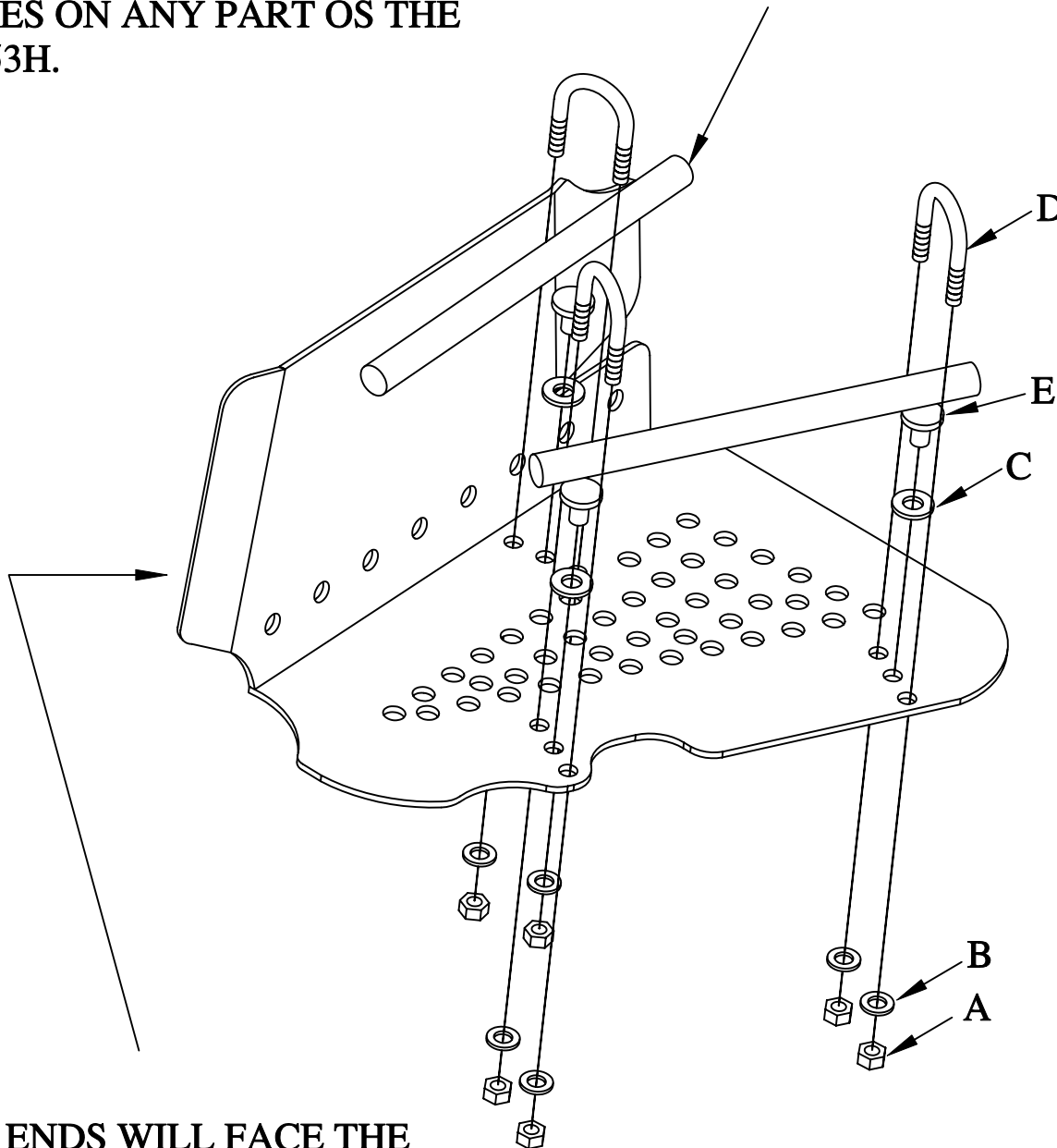


# # SS153H

POLARIS 700 4X4 2005

ONCE MOUNTED MAKE SURE THERE IS NO RUBBING OF THE CV BOOTS ARE THE RADIATOR HOSES ON ANY PART OS THE SS153H.

THESE TUBES REPRESENT THE A-ARMS ON THE UNIT.



THESE ENDS WILL FACE THE INSIDE OF THE RIMS.