

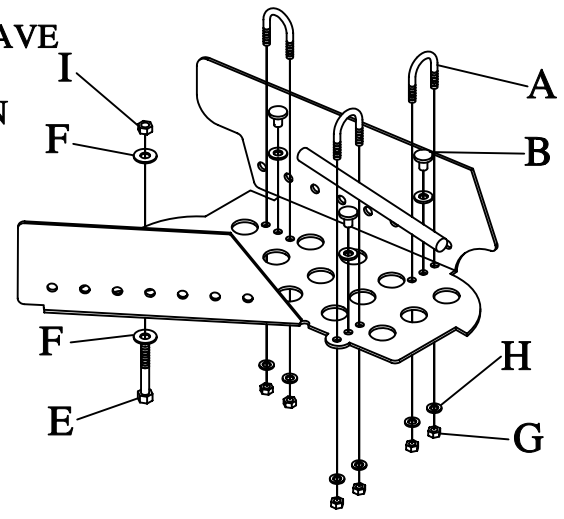
- 6=1/4 X 1/2 U-BOLTS-A
- 6=#16 TANNER RIVETS-B
- 6=5/16 SAE WASHERS-C
- 2=3/16 X 1 X 3/8 ZINC WASHER-D
- 2=5/16 X 2 1/4 BOLTS-E
- 4=5/16 USS WASHERS-F
- 12=1/4 LOCK NUTS-G
- 12=1/4 SAE WASHERS-H
- 2=5/16 LOCK NUTS-I



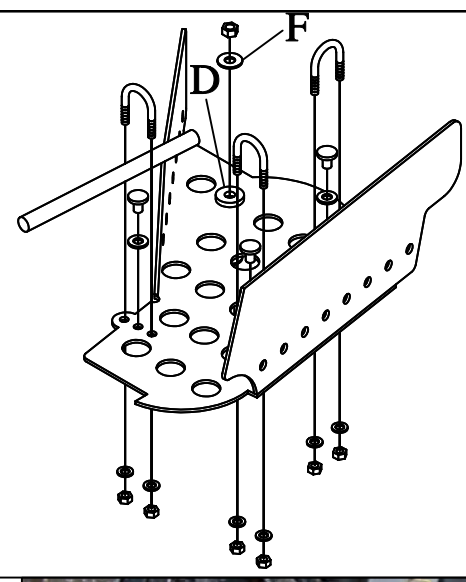
# # SS160H-AL

REAR STICK STOPPERS FOR  
ARCTIC CAT PROWLER 650

EVEN THOUGH THE NEW BOOT GUARDS YOU HAVE PURCHASED WILL COVER MORE THAN THE ORIGINAL PLASTIC GUARDS. BOOTS HAVE BEEN REPORTED TO BE TORN IN SOME CONDITIONS. SAVANT MFG. (STRONG MADE) DOES NOT WARRANTY AND TORN BOOTS.



THE RIVETS (B) WASHERS (C) AND 3/16 X 1 WASHERS (D) ARE USED AS SPACERS.



THE SS160H-AL WILL BOLT AS SHOWN ON PIC.

THIS END HERE WILL FACE THE INSIDE OF THE FRAME ONCE THEY HAVE BEEN MOUNTED.

