

- 6=1/4 X 1/2 U-BOLTS-A
- 6=#16 TANNER RIVETS-B
- 10=5/16 SAE WASHERS-C
- 12=1/4 LOCK NUTS-D
- 12=1/4 WASHERS-E



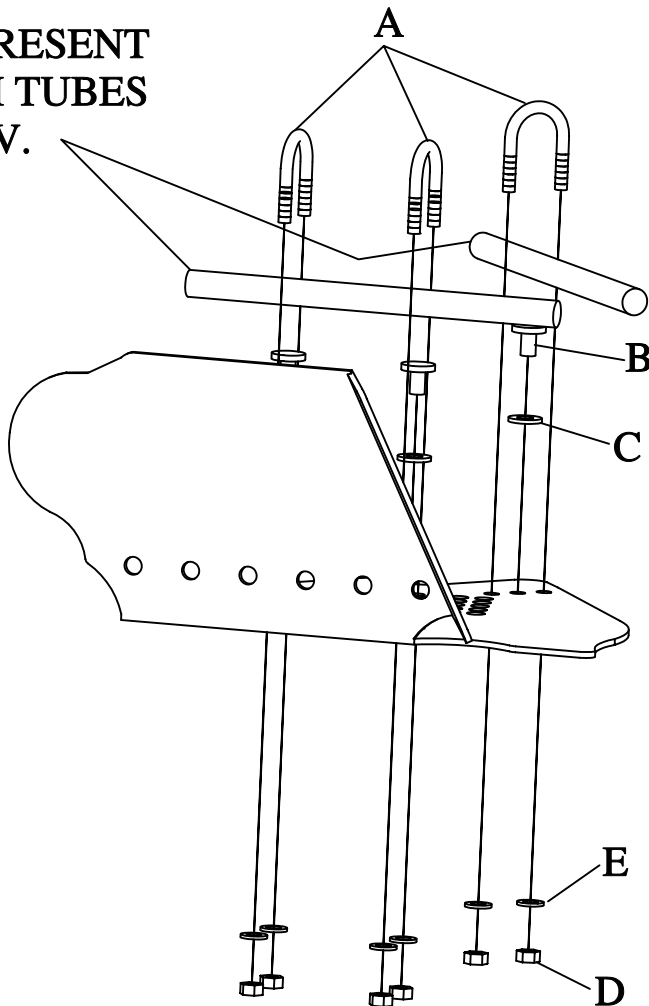
SS161H

HONDA FOREMAN 500 4X4
REPLACE THEM WITH
THE NEW SS161H.

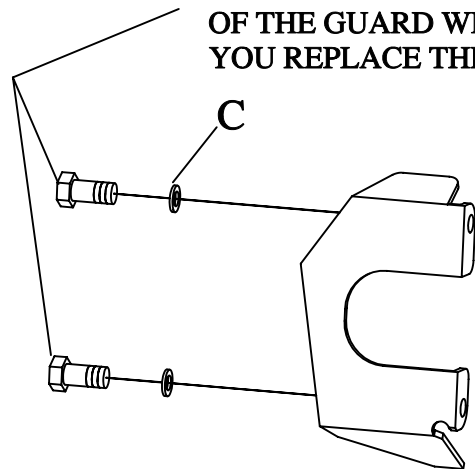
REMOVE THE ORIGINAL
PLASTIC BOOT GUARDS.



THESE REPRESENT
THE A-ARM TUBES
ON THE ATV.



THESE ARE THE
ORIGINAL BOLTS
THAT WERE REMOVED
FROM THE PLASTIC
GUARDS. PLACE A
WASHER(C) ON EACH
BOLT AND REPLACE
THEM. MAKE SURE
THE BOLTS COUNTER
SINK INTO THE HOLES
OF THE GUARD WHEN
YOU REPLACE THEM.



THERE SHOULD BE A TOTAL OF FOUR
PIECES IN THIS KIT. ON THE INSIDE OF
EACH PART THERE IS A (R) AND (L)
WHICH WILL DETERMINE WHICH ONES
ARE RIGHT AND LEFT SIDES.