

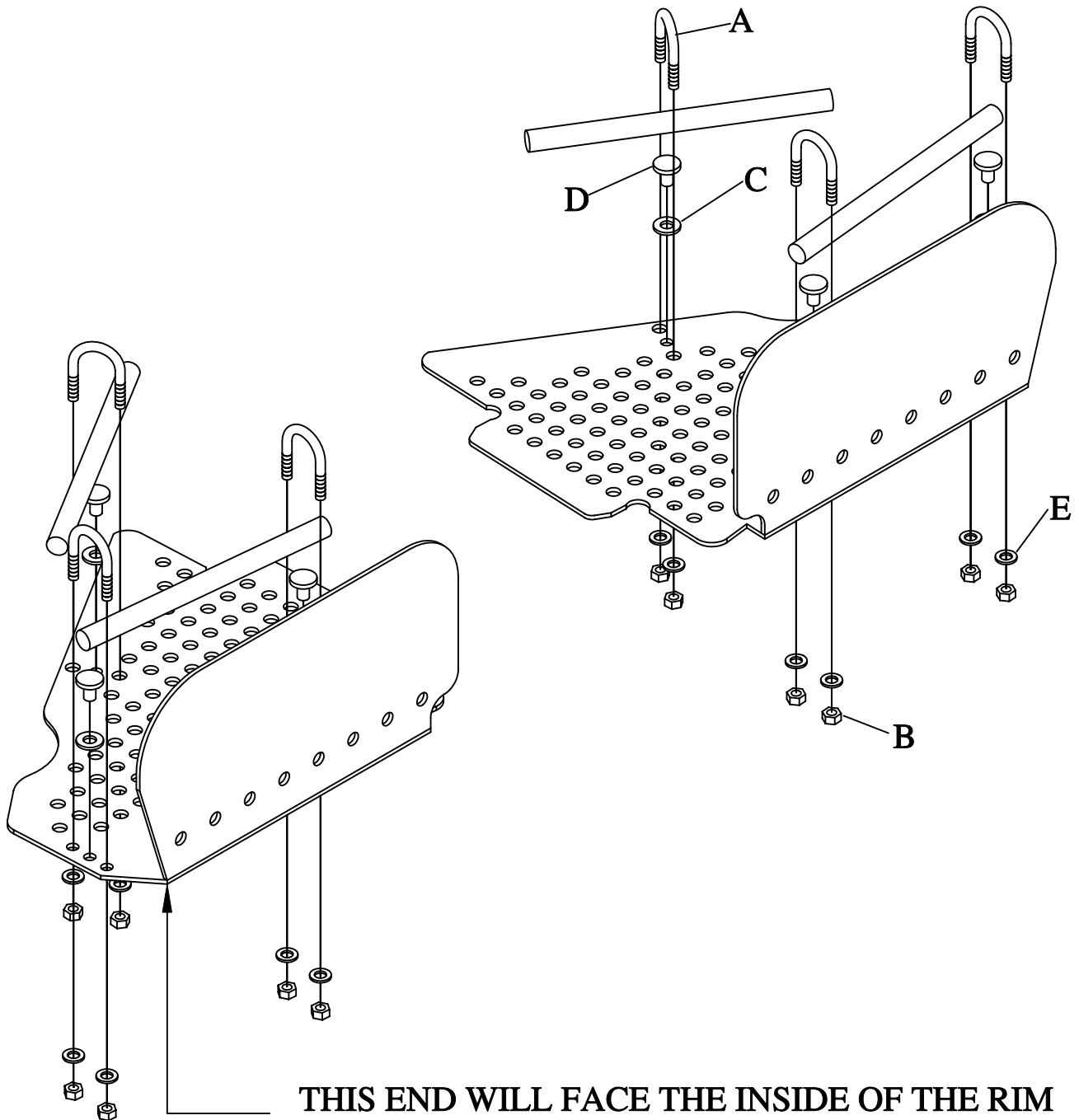
- 6=1/4 X 1/2 U-BOLTS-A
- 12=1/4 LOCK NUTS-B
- 6=5/16 SAE WASHERS-C
- 6=#16 TINNER RIVETS-D
- 12=1/4 SAE WASHERS-E



#SS162H

POLARIS RANGER 500 4X4
FRONT STICK STOPPERS.

THE SS162H'S WILL BOLT UNDER THE
FRONT A-ARMS OF THE MACHINE.



THIS END WILL FACE THE INSIDE OF THE RIM
ONCE IT HAS BEEN MOUNTED TO THE MACHINE.