

- 6=1/4 X 1 SQUARE U-BOLTS-A
- 6= #16 TANNER RIVETS-B
- 6=5/16 SAE WASHERS-C
- 12=1/4 LOCK NUTS-D
- 12=1/4 SAE WASHERS-E

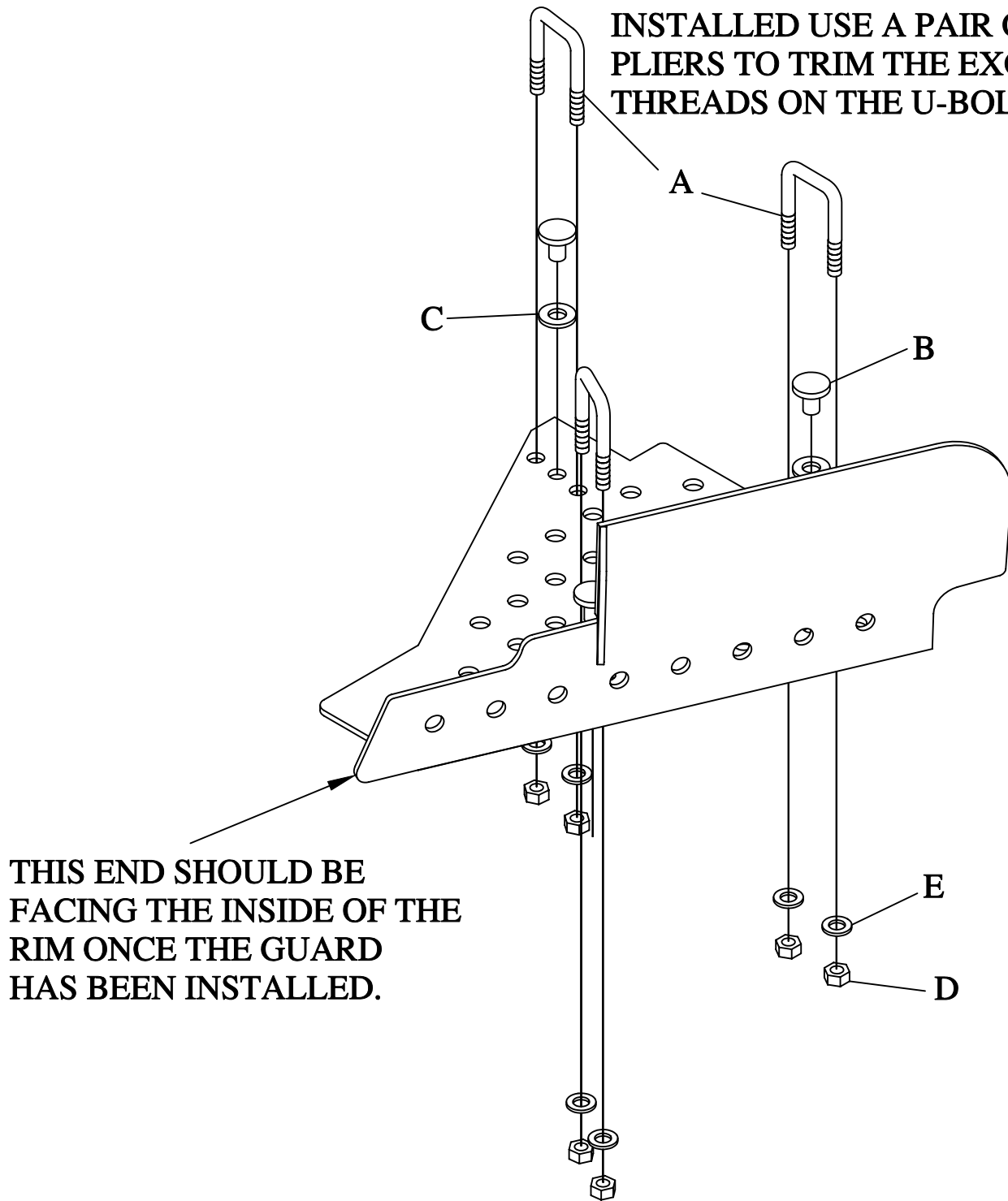


SS168H

FRONT STICK STOPPERS YAMAHA
BIG BEAR 400 4X4 IRS 2007

EVEN THOUGH THE NEW BOOT GUARDS YOU HAVE PURCHASED WILL COVER MORE THAN THE ORIGINAL PLASTIC GUARDS. BOOTS HAVE BEEN REPORTED TO BE TORN IN SOME CONDITIONS. SAVANT MFG. (STRONG MADE) DOES NOT WARRANTY ANY TORN BOOTS.

ONCE THE GUARDS HAVE BEEN INSTALLED USE A PAIR OF CUTTING PLIERS TO TRIM THE EXCESS THREADS ON THE U-BOLTS.



THIS END SHOULD BE FACING THE INSIDE OF THE RIM ONCE THE GUARD HAS BEEN INSTALLED.