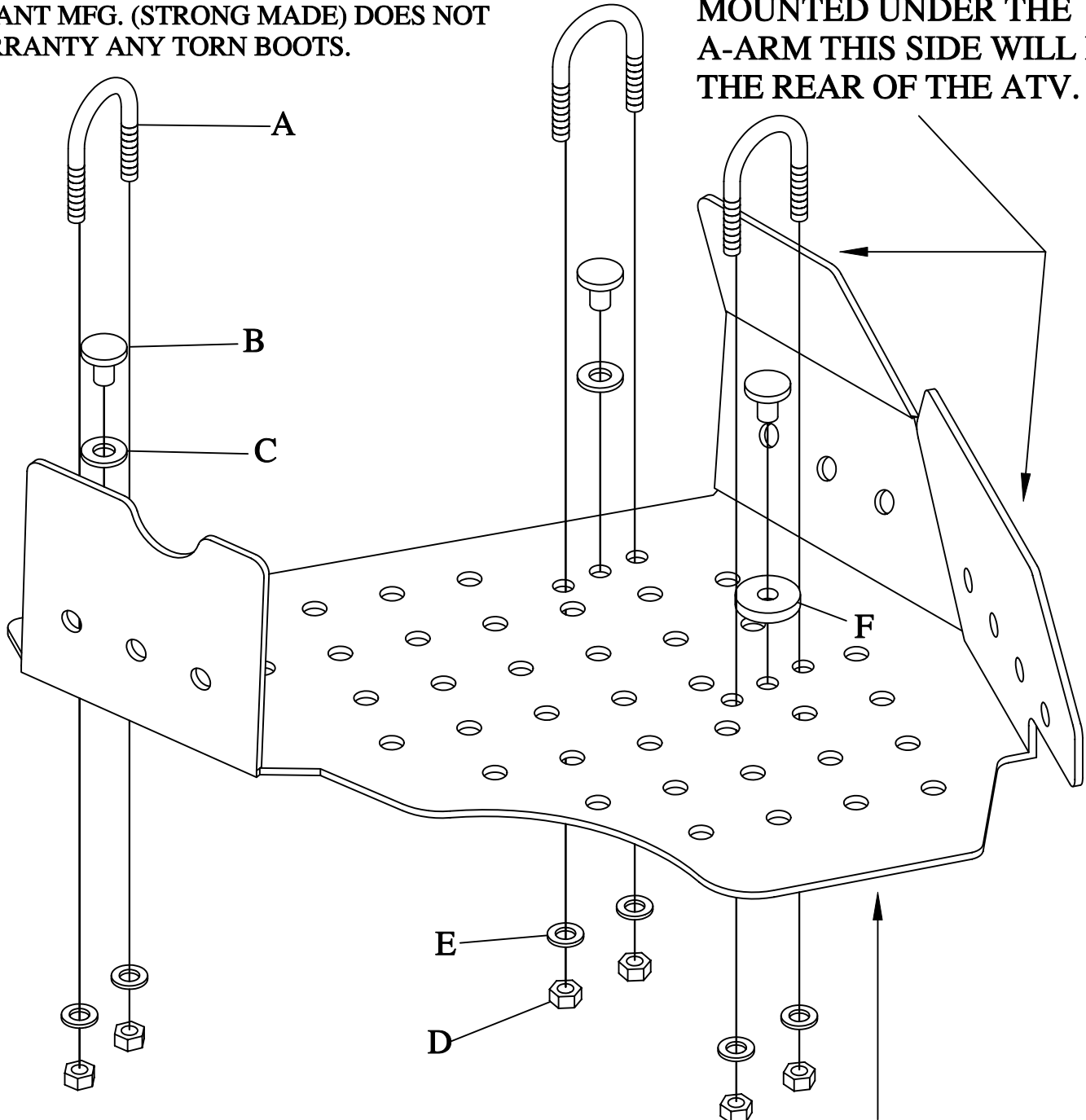


- 6=1/4 X 3/4 U-BOLTS-A
- 6= #16 TANNER RIVETS-B
- 4=5/16 SAE WASHERS-C
- 12=1/4 LOCK NUTS-D
- 12=1/4 SAE WASHERS-E
- 2= 3/16 X 1 WASHERS-F



EVEN THOUGH THE NEW BOOT GUARDS YOU HAVE PURCHASED WILL COVER MORE THAN THE ORIGINAL PLASTIC GUARDS. BOOTS HAVE BEEN REPORTED TO BE TORN IN SOME CONDITIONS. SAVANT MFG. (STRONG MADE) DOES NOT WARRANTY ANY TORN BOOTS.

SS169H
 REAR GUARDS YAMAHA
 BIG BEAR 400 4X4 IRS
 ONCE THE GUARD HAS BEEN MOUNTED UNDER THE A-ARM THIS SIDE WILL FACE THE REAR OF THE ATV.



THIS END WILL FACE THE INSIDE OF THE RIM ONCE THE GUARD HAS BEEN MOUNTED.