

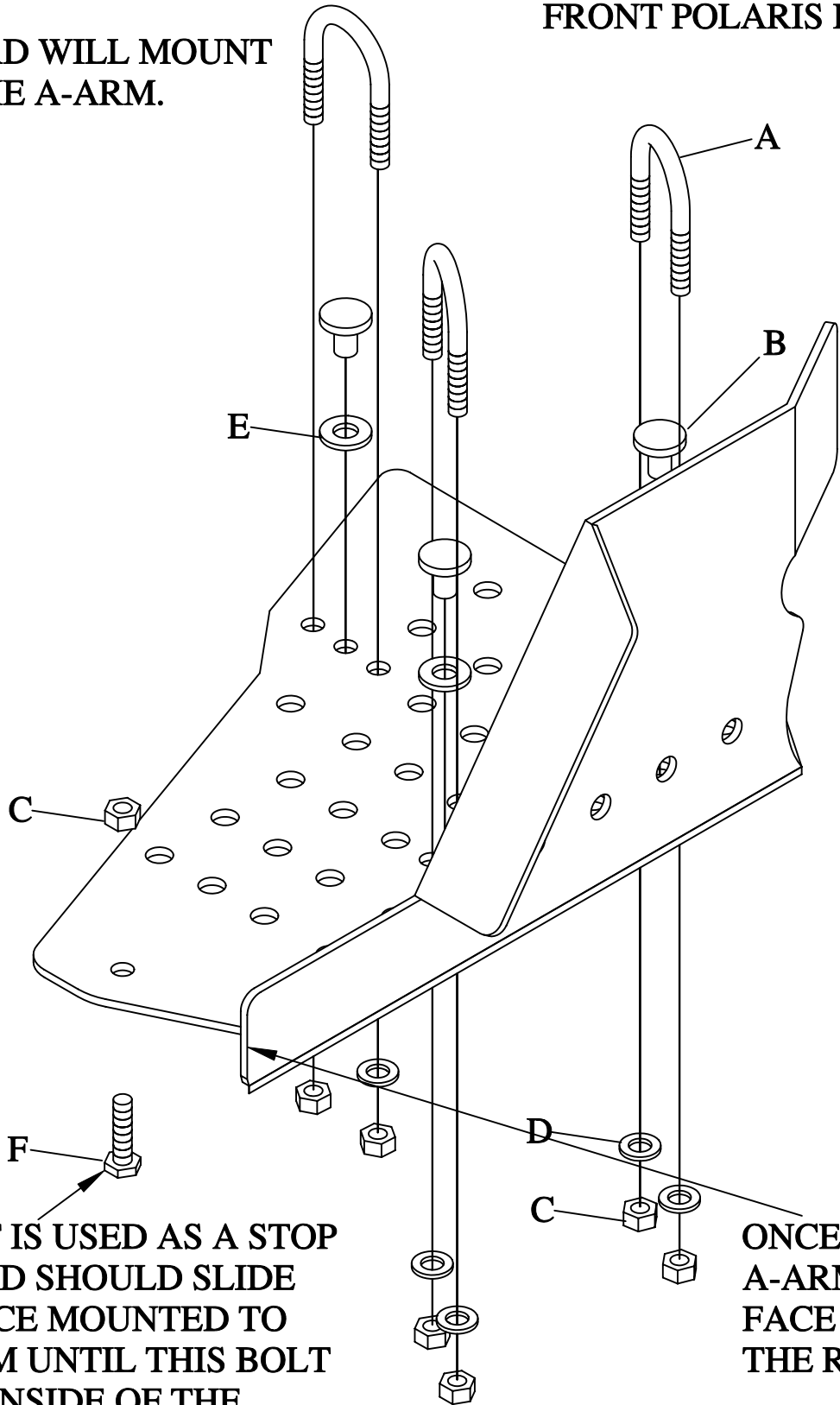
- 6=1/4 X 3/4 U-BOLTS-A
- 6=#16 TANNER RIVETS-B
- 14=1/4 LOCK NUTS-C
- 12=1/4 SAE WASHERS-D
- 6=5/16 SAE WASHERS-E
- 2=1/4 X 1 BOLTS-F



SS171H

FRONT POLARIS HAWKEYE 300 4X4

THE GUARD WILL MOUNT UNDER THE A-ARM.



THIS BOLT IS USED AS A STOP THE GUARD SHOULD SLIDE DOWN ONCE MOUNTED TO THE A-ARM UNTIL THIS BOLT HITS THE INSIDE OF THE TUBULAR A-ARM.

ONCE MOUNTED TO THE A-ARM THIS END WILL FACE THE INSIDE OF THE RIM.