

- 6=1/4X3/8 U-BOLTS-A
- 12=1/4 SAE WASHERS-B
- 12=1/4 LOCK NUTS-C
- 6=5/16 TANNER RIVETS-D
- 6=5/16 SAE WASHERS-E

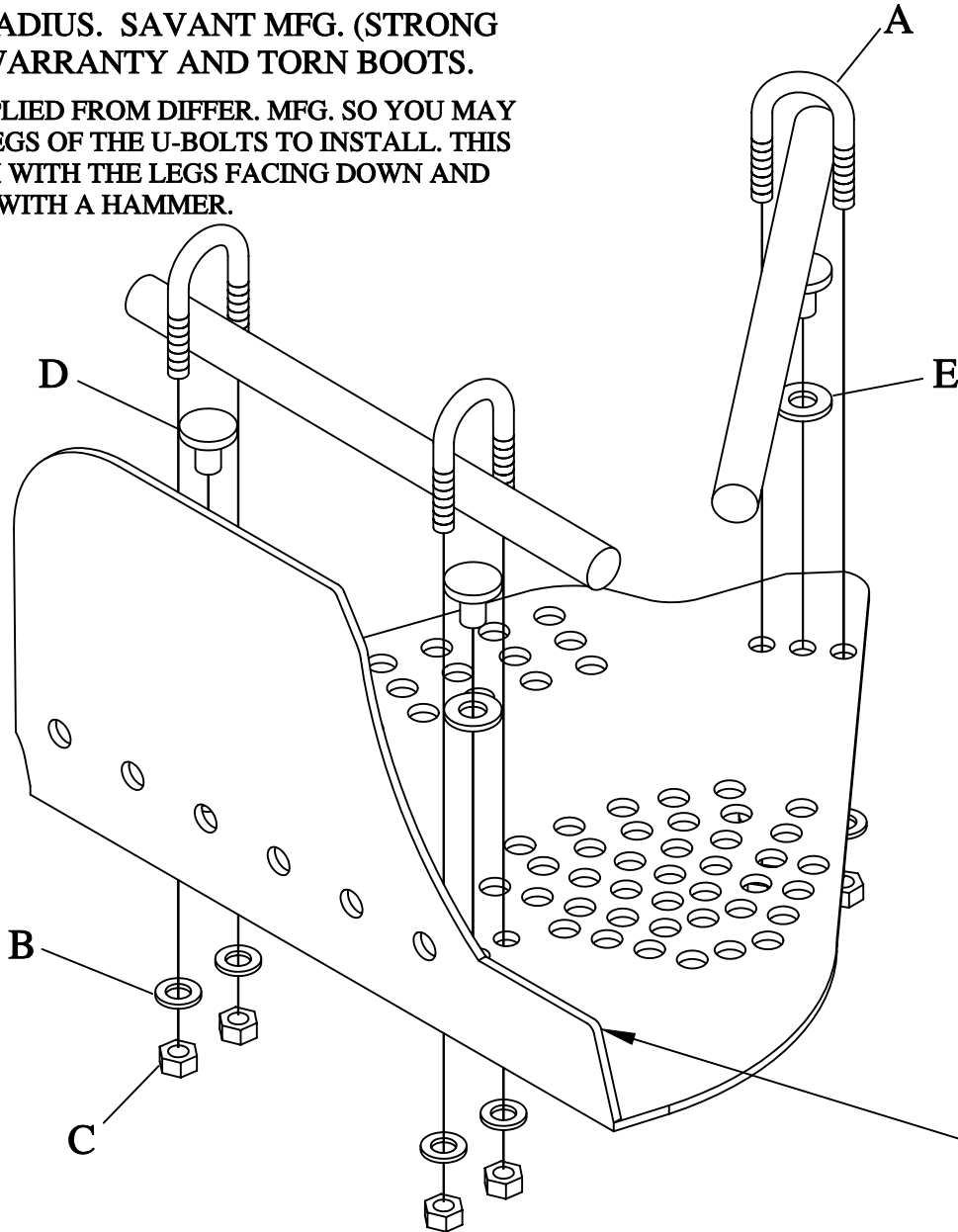


# #SS181H

2008 YAMAHA GRIZZLY 450 4X4

EVEN THOUGH THE NEW BOOT GUARDS YOU HAVE PURCHASED WILL COVER MORE THAN THE ORIGINAL PLASTIC GUARDS. BOOTS HAVE BEEN REPORTED TO BE TORN IN SOME CONDITIONS .DUE TO THE TURING RADIUS ON SOME OF THE NEWER ATV'S. THE BOOT PROTECTORS HAVE BEEN MANUFACTURED SMALLER TO ALLOW FOR A TIGHTER TURING RADIUS. SAVANT MFG. (STRONG MADE) DOES NOT WARRANTY AND TORN BOOTS.

THE U-BOLT ARE SUPPLIED FROM DIFFER. MFG. SO YOU MAY HAVE TO OPEN THE LEGS OF THE U-BOLTS TO INSTALL. THIS IS SIMPLE TURN THEM WITH THE LEGS FACING DOWN AND TAP THE ROUND END WITH A HAMMER.



THE GUARD WILL MOUNT UNDER THE A-ARM ONCE THE PLASTIC GUARD IS REMOVED. ONLY REMOVE THE PLASTIC GUARD THAT IS MOUNTED ON THE ARM LEAVE THE GUARD THAT IS ON THE BEARING KNUCKLES. ONCE MOUNTED THIS IS THE END THAT WILL FACE THE WHEEL.