

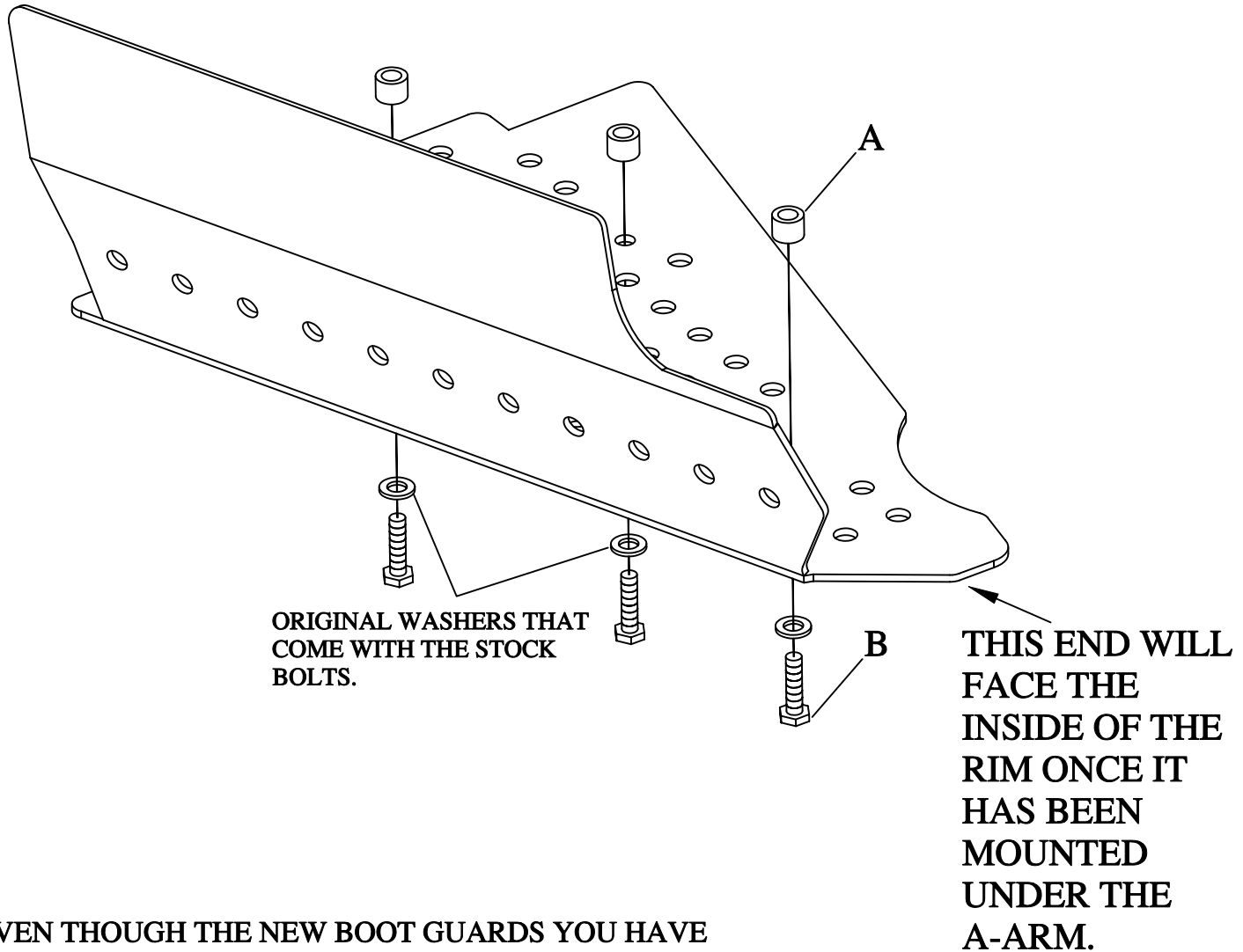
6=1/4 GALV. SPACERS 3/8 LONG -A
6=6MM X 1 X 25MM BOLTS-B

REMOVE PLASTIC GUARDS FOR
INSTALLING THE NEW METAL
GUARDS. MUST REUSE THE
WASHERS ON THE ORIGINAL
STOCK BOLTS.



SS182H-AL

FRONT GUARDS KAWASAKI TERYX 750



EVEN THOUGH THE NEW BOOT GUARDS YOU HAVE
PURCHASED WILL COVER MORE THAN THE
ORIGINAL PLASTIC GUARDS. BOOTS HAVE BEEN
REPORTED TO BE TORN IN SOME CONDITIONS .DUE
TO THE TURING RADIUS ON SOME OF THE NEWER
ATV'S. THE BOOT PROTECTORS HAVE BEEN
MANUFACTURED SMALLER TO ALLOW FOR A
TIGHTER TURING RADIUS. SAVANT MFG. (STRONG
MADE) DOES NOT WARRANTY AND TORN BOOTS.