

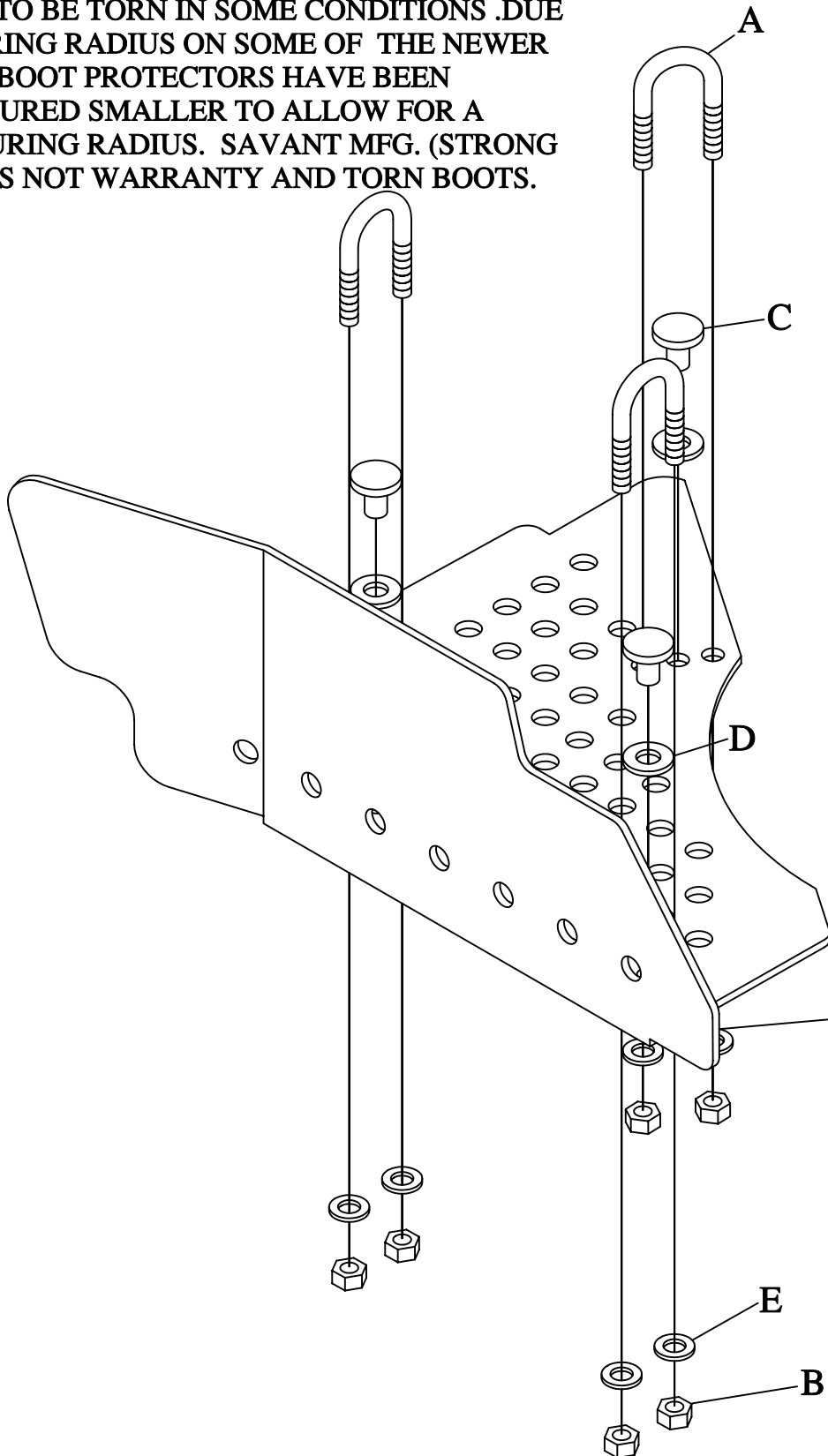
- 4=1/4X 3/8 U-BOLTS-A
- 12=1/4 LOCK NUTS-B
- 6=#16 TANNER RIVETS-C
- 6=5/16 SAE WASHERS-D
- 12=1/4 SAE WASHERS-E



SS184H

ARCTIC CAT 366 4X4 (FRONT)

EVEN THOUGH THE NEW BOOT GUARDS YOU HAVE PURCHASED WILL COVER MORE THAN THE ORIGINAL PLASTIC GUARDS. BOOTS HAVE BEEN REPORTED TO BE TORN IN SOME CONDITIONS .DUE TO THE TURNING RADIUS ON SOME OF THE NEWER ATV'S. THE BOOT PROTECTORS HAVE BEEN MANUFACTURED SMALLER TO ALLOW FOR A TIGHTER TURNING RADIUS. SAVANT MFG. (STRONG MADE) DOES NOT WARRANTY AND TORN BOOTS.



THIS END WILL FACE THE INSIDE OF THE RIM ONCE THE GUARD HAS BEEN MOUNTED...