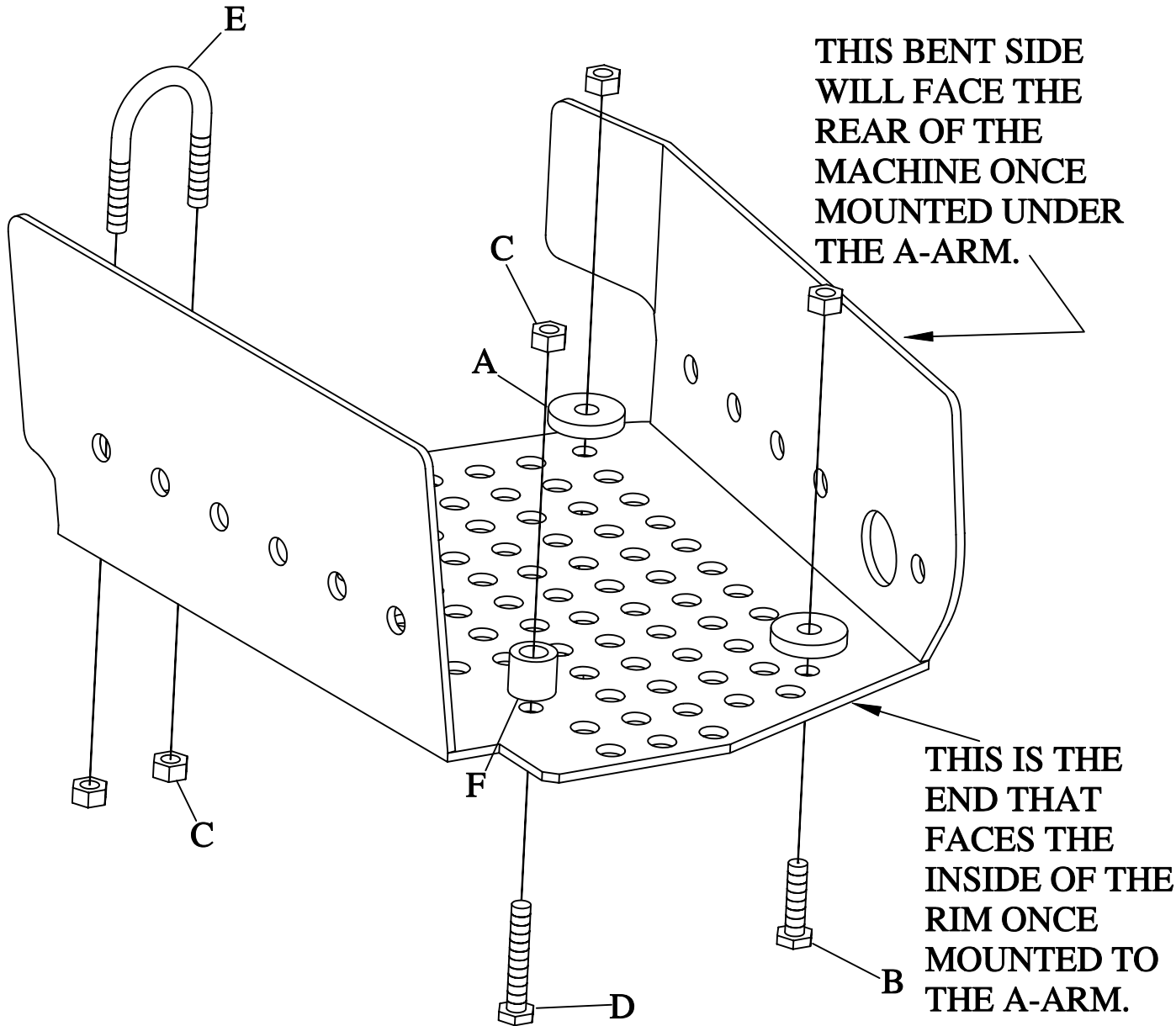


- 4=3/16 X 1 WASHERS-A
- 4=1/4 X 1 BOLTS-B
- 10=1/4 LOCK NUTS-C
- 2=1/4 X 1 1/2 BOLTS-D
- 2=1/4 X 3/4 U-BOLTS-E
- 2=1/4 GALV SPACERS 9/16" LONG-F



SS185H

ARCTIC CAT 366 4X4 (REAR)



EVEN THOUGH THE NEW BOOT GUARDS YOU HAVE PURCHASED WILL COVER MORE THAN THE ORIGINAL PLASTIC GUARDS. BOOTS HAVE BEEN REPORTED TO BE TORN IN SOME CONDITIONS .DUE TO THE TURNING RADIUS ON SOME OF THE NEWER ATV'S. THE BOOT PROTECTORS HAVE BEEN MANUFACTURED SMALLER TO ALLOW FOR A TIGHTER TURNING RADIUS. SAVANT MFG. (STRONG MADE) DOES NOT WARRANTY AND TORN BOOTS.

THE MOUNTING OF THE GUARDS ARE MUCH EASIER IF THE REAR WHEELS ARE REMOVED FOR THE MACHINE.