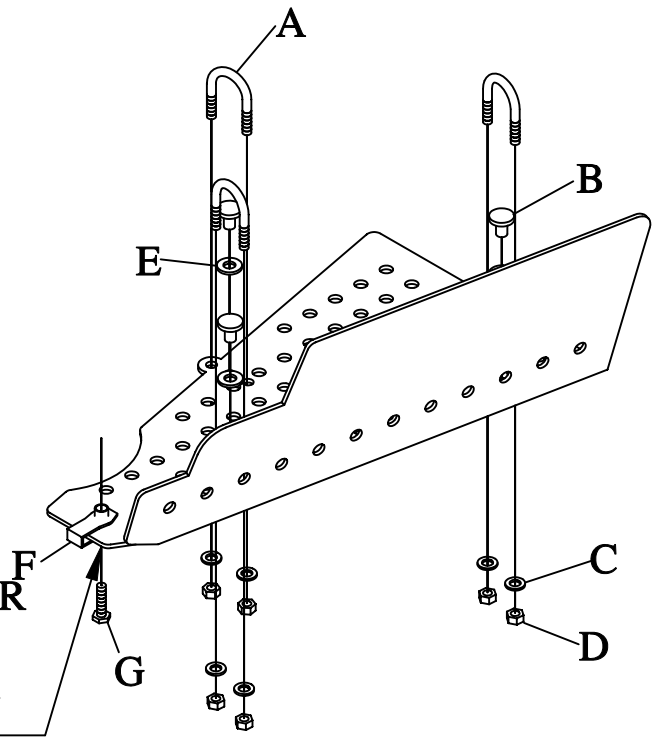
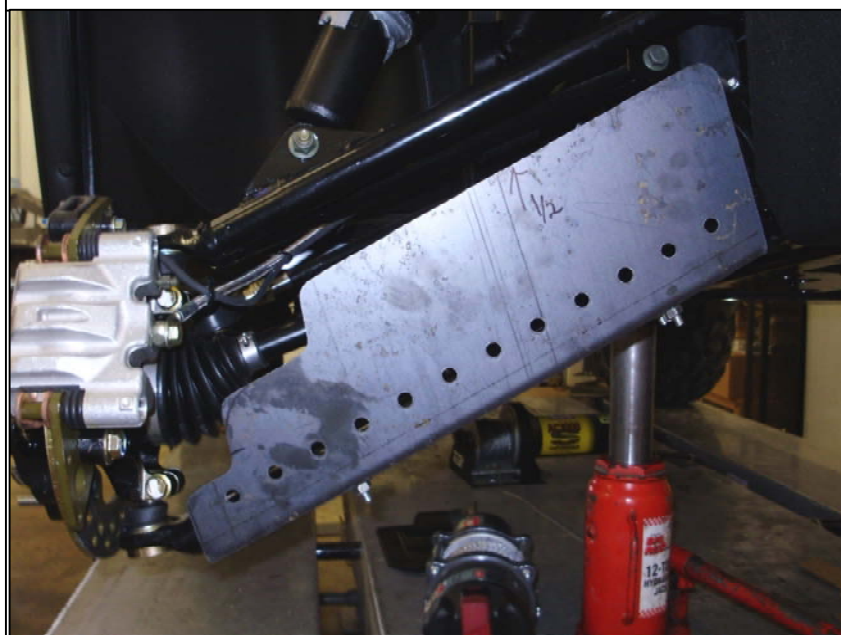


- 6=1/4 X 1/2 U-BOLTS-A
- 6=#16 TANNER RIVETS-B
- 12=1/4 SAE WASHERS-C
- 12=1/4 LOCK NUTS-D
- 6=5/16 SAE WASHERS-E
- 2=1/4 U-NUTS-F
- 2=1/4 X 1 BOLTS-G



SS189H

POLARIS RANGERS 700 2009'S



ONCE MOUNTED UNDER THE A ARMS THIS END WILL FACE THE INSIDE OF THE RIM.



THIS BOLT AND CLAMP IS USED AS A STOP FOR THE GUARD ON THE A-ARMS. THE GUARD WILL MOUNT AND SLIDE DOWN TILL THIS STOP HITS ON THE BALL JOINT BRACKETS.

