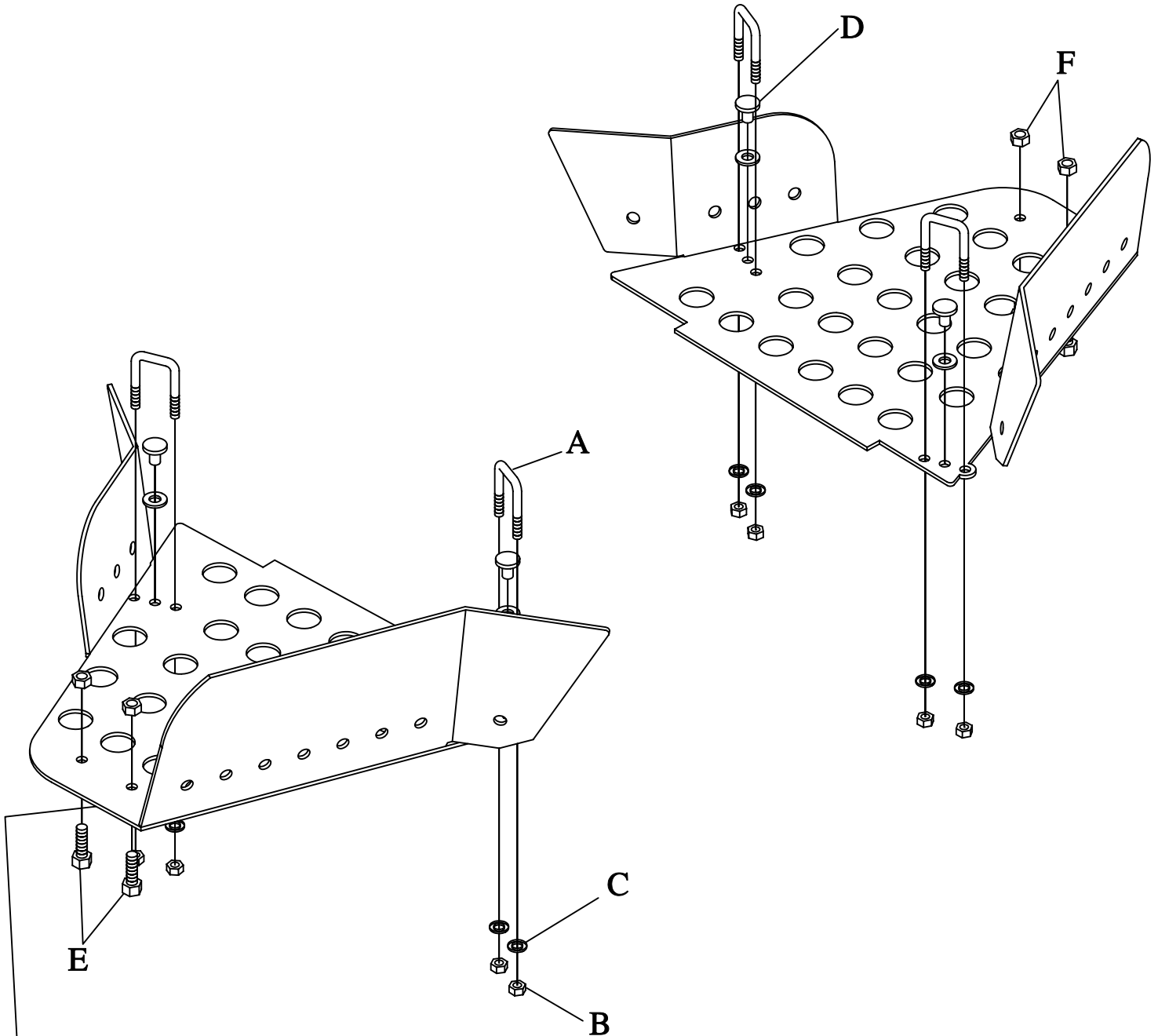


- 4=1/4 X 1 SQUARE U-BOLTS-A
- 8=1/4 LOCK NUTS-B
- 8=1/4 SAE WASHERS-C
- 4=# 16 TANNER RIVETS-D
- 4=5/16 X 3/4 BOLTS-E
- 4=5/16 LOCK NUTS-F



# # SS190H

POLARIS RANGER 700 4X4 2009



AFTER THE GUARD HAS BEEN MOUNTED UNDER THE A-ARMS THIS END WILL FACE THE INSIDE OF THE RIM.