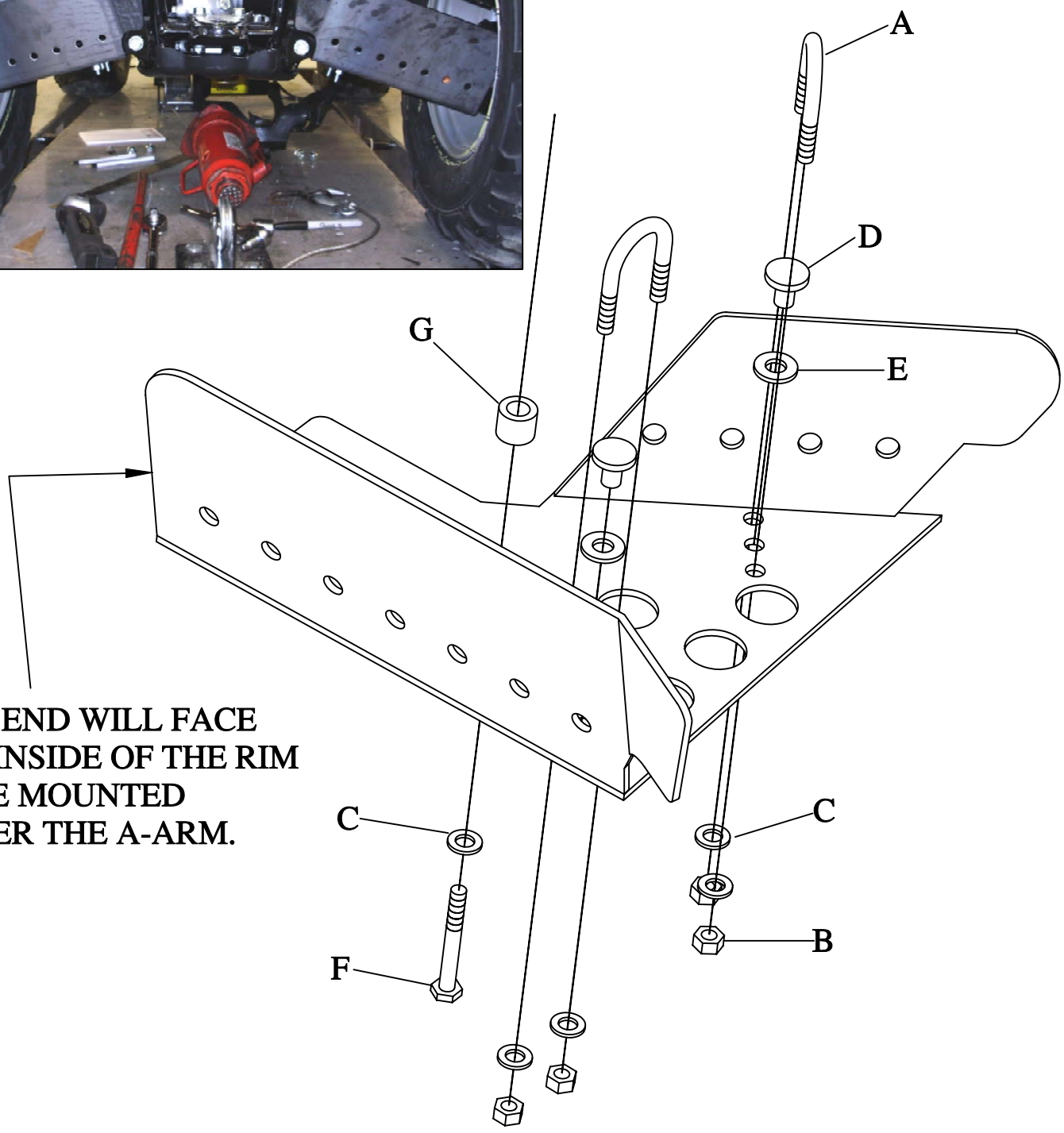


- 4=1/4 X 1/2 U-BOLTS-A
- 8=1/4 LOCK NUTS-B
- 10=1/4 USS WASHERS-C
- 4=#16 TANNER RIVETS-D
- 4=5/16 SAE WASHERS-E
- 2=6MMX40MMX1 BOLTS-F
- 2=1/4 GALV. SPACERS 1/2" LONG-G



# # SS191H-ATB

2009 HONDA RANCHER  
400AT REAR GUARDS.



**THIS END WILL FACE  
THE INSIDE OF THE RIM  
ONCE MOUNTED  
UNDER THE A-ARM.**