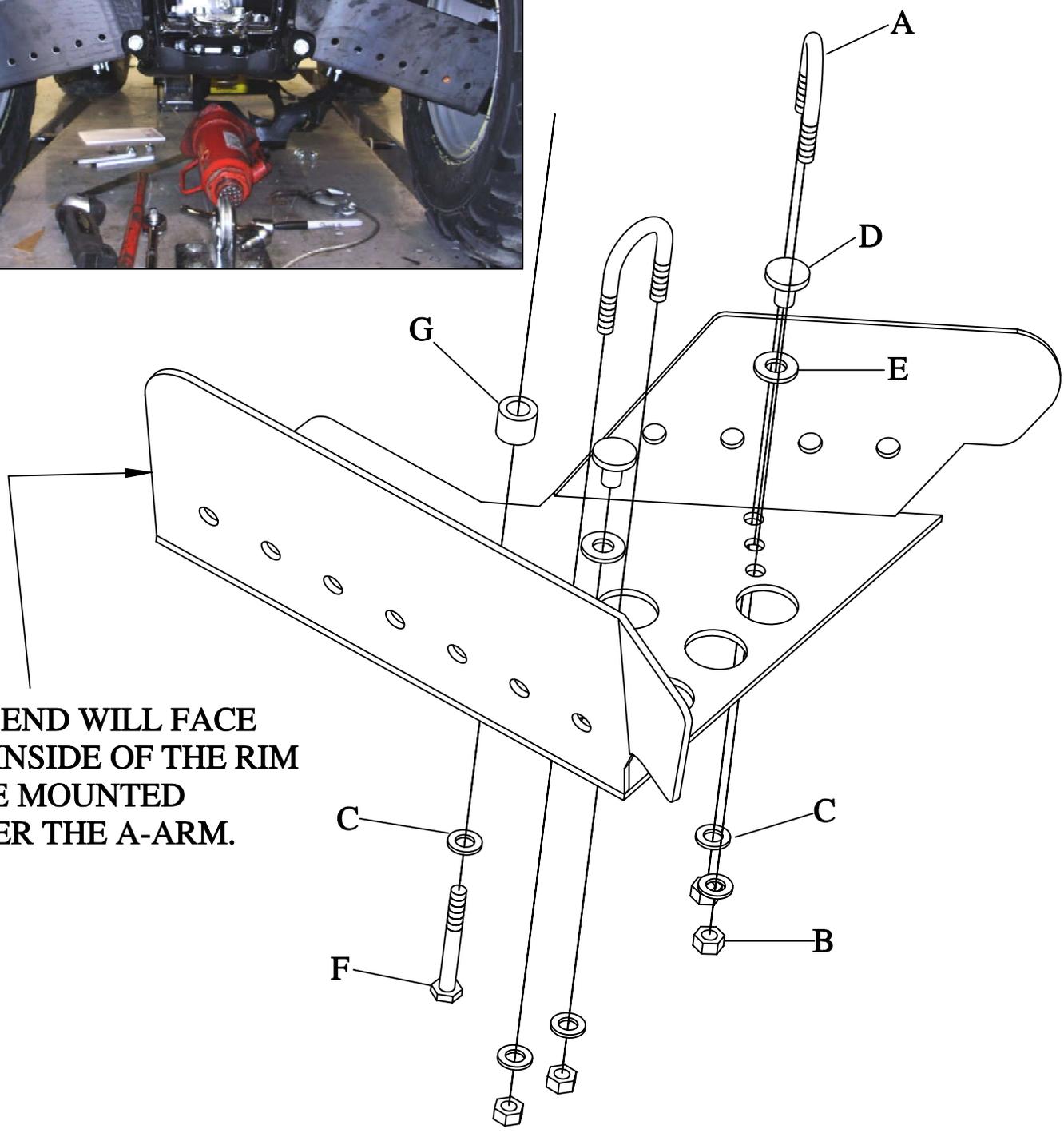


- 4=1/4 X 1/2 U-BOLTS-A
- 8=1/4 LOCK NUTS-B
- 10=1/4 USS WASHERS-C
- 4=#16 TANNER RIVETS-D
- 4=5/16 SAE WASHERS-E
- 2=6MMX40MMX1 BOLTS-F
- 2=1/4 GALV. SPACERS 1/2" LONG-G



SS191H
 2009 HONDA RANCHER
 400AT REAR GUARDS.



**THIS END WILL FACE
 THE INSIDE OF THE RIM
 ONCE MOUNTED
 UNDER THE A-ARM.**