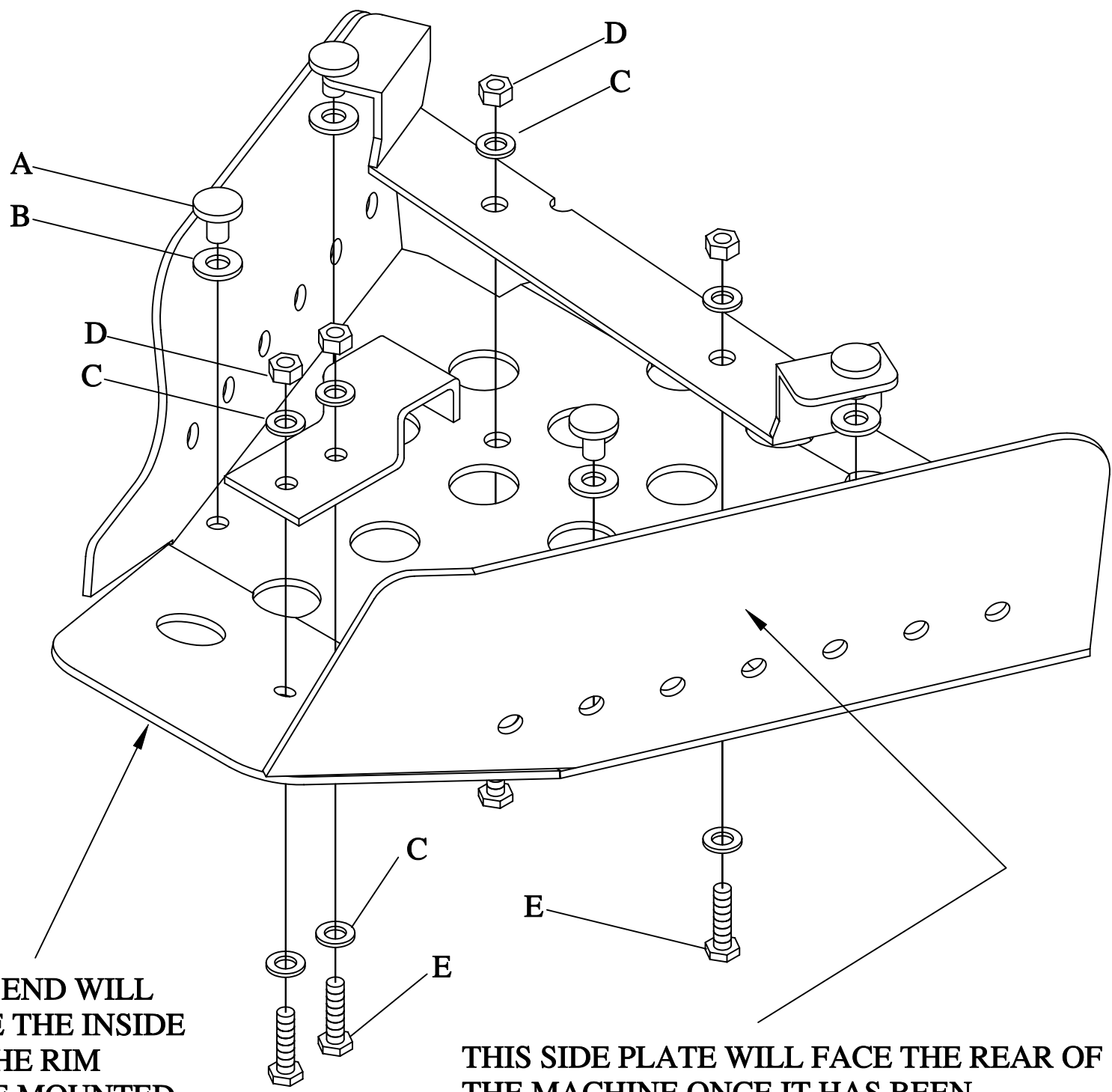


- 8=#16 TANNER RIVETS-A
- 8=5/16 SAE WASHERS-B
- 16=1/4 USS WASHERS-C
- 8=1/4 LOCK NUTS-D
- 8=1/4 X 1 BOLTS-E



SS193H

HONDA BIG RED REAR GUARDS.



THIS END WILL FACE THE INSIDE OF THE RIM ONCE MOUNTED UNDER THE LOWER A-ARM.

THIS SIDE PLATE WILL FACE THE REAR OF THE MACHINE ONCE IT HAS BEEN MOUNTED UNDER THE A-ARM.