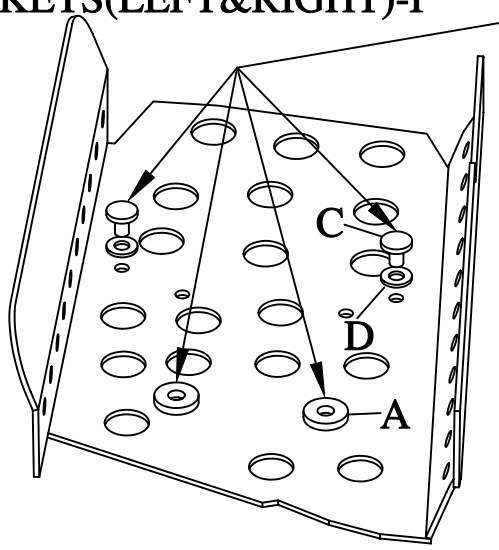


- 4=1 X 3/16" THICK ZINC WASHERS-A
- 4=5/16 X 2 1/4" BOLTS-B
- 4=#16 TANNER RIVETS-C
- 12=5/16 SAE WASHERS-D
- 4= 5/16 LOCK NUTS-E
- 4=1/4 X 7/8 BOLTS-F
- 4=1/4 LOCK NUTS-G
- 8=1/4 SAE WASHERS-H
- 2=MOUNTING BRACKETS(LEFT&RIGHT)-I

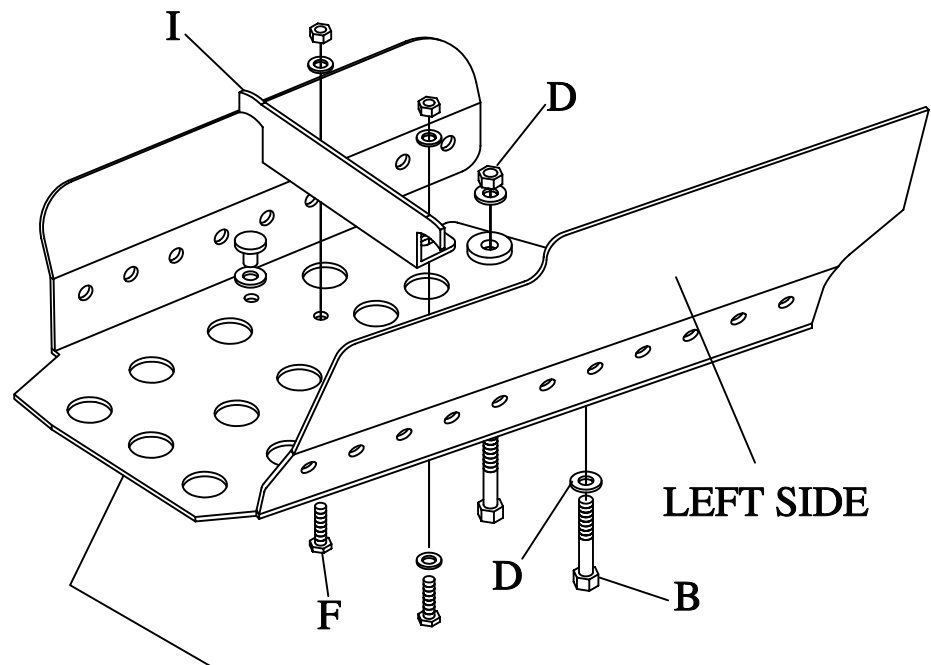
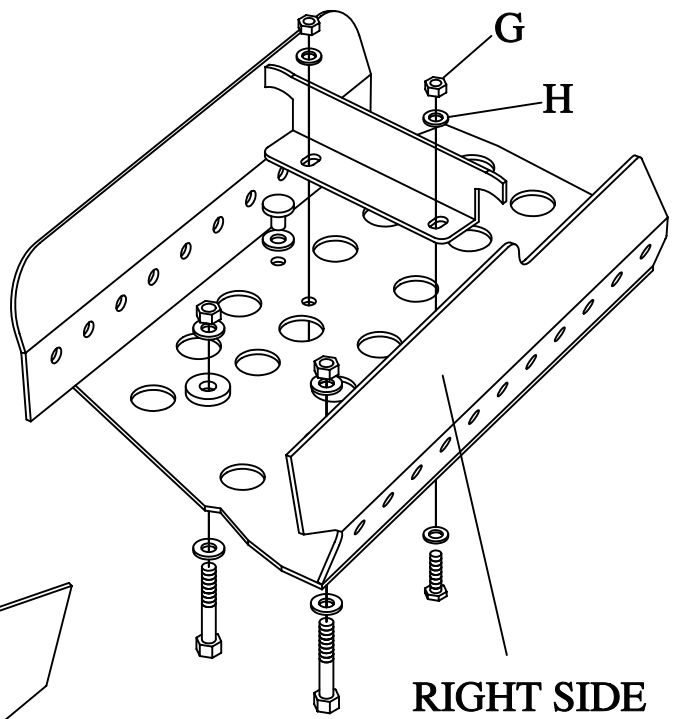


SS195H

REAR GUARDS FOR POLARIS SPORTSMAN 550 XP 4X4



CORRECT PLACEMENT OF SPACERS. PLACE THESE BETWEEN THE CONTROL ARM AND THE GUARD.



THIS IS A VIEW FROM THE REAR OF THE MACHINE.

ONCE MOUNTED THIS END WILL FACE THE INSIDE OF THE RIM.