

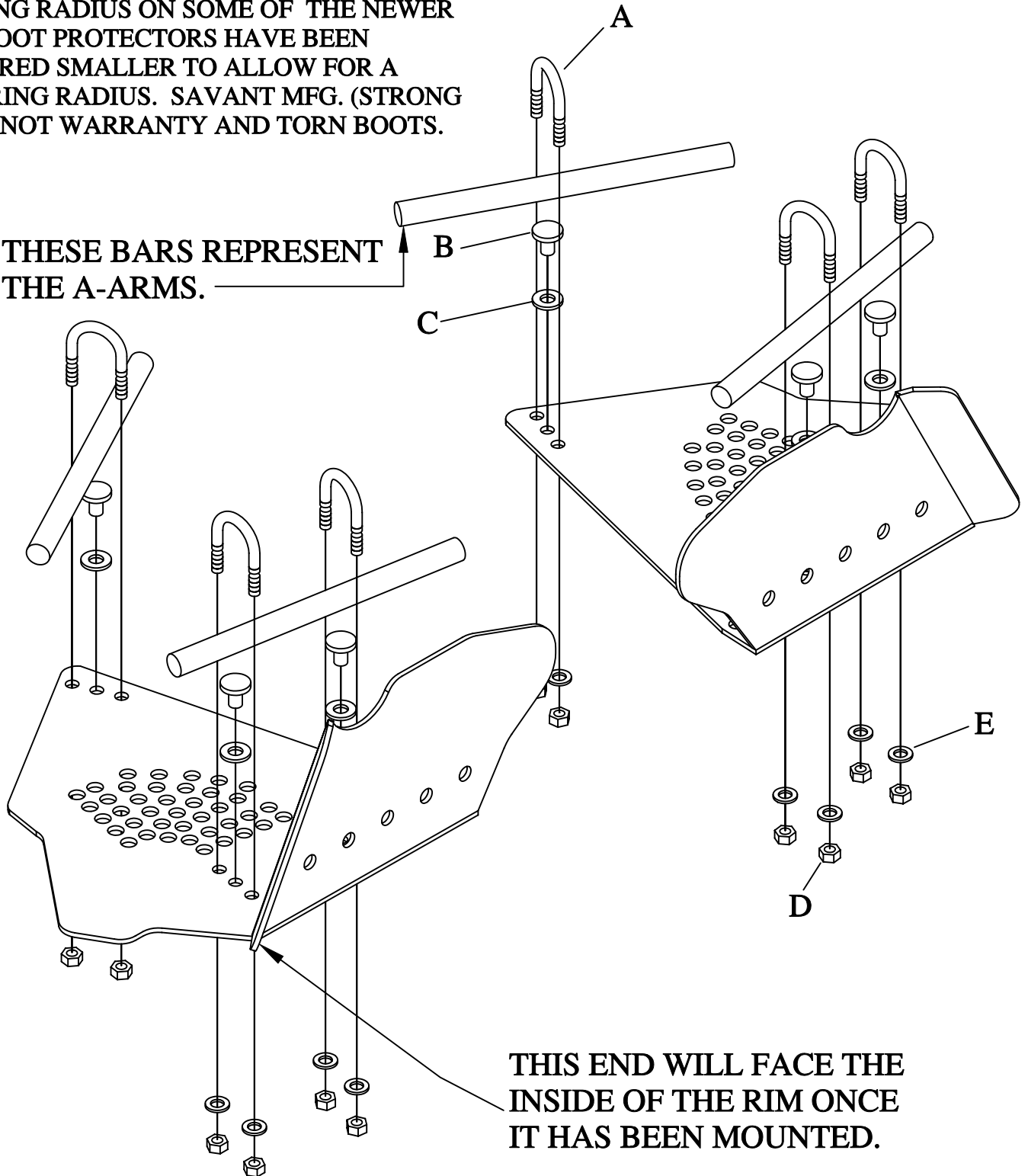
- 6=1/4 X 1/2 U-BOLTS-A
- 6=1/4 TANNER RIVETS-B
- 6=5/16 SAE WASHERS-C
- 12=1/4 LOCK NUTS-D
- 12=1/4 WASHERS-E



SS213H-ATB
HONDA FOREMAN 500 4X4 2012
ALUM. DIAMOND PLATED GUARDS.

EVEN THOUGH THE NEW BOOT GUARDS YOU HAVE PURCHASED WILL COVER MORE THAN THE ORIGINAL PLASTIC GUARDS. BOOTS HAVE BEEN REPORTED TO BE TORN IN SOME CONDITIONS .DUE TO THE TURNING RADIUS ON SOME OF THE NEWER ATV'S. THE BOOT PROTECTORS HAVE BEEN MANUFACTURED SMALLER TO ALLOW FOR A TIGHTER TURNING RADIUS. SAVANT MFG. (STRONG MADE) DOES NOT WARRANTY AND TORN BOOTS.

THESE BARS REPRESENT THE A-ARMS.



THIS END WILL FACE THE INSIDE OF THE RIM ONCE IT HAS BEEN MOUNTED.