

- 6=1/4X3/8 U-BOLTS-A
- 12=1/4 LOCK NUTS-B
- 12=1/4 SAE WASHERS-C
- 6=5/16 SAE WASHERS-D
- 6=TANNER RIVETS-E

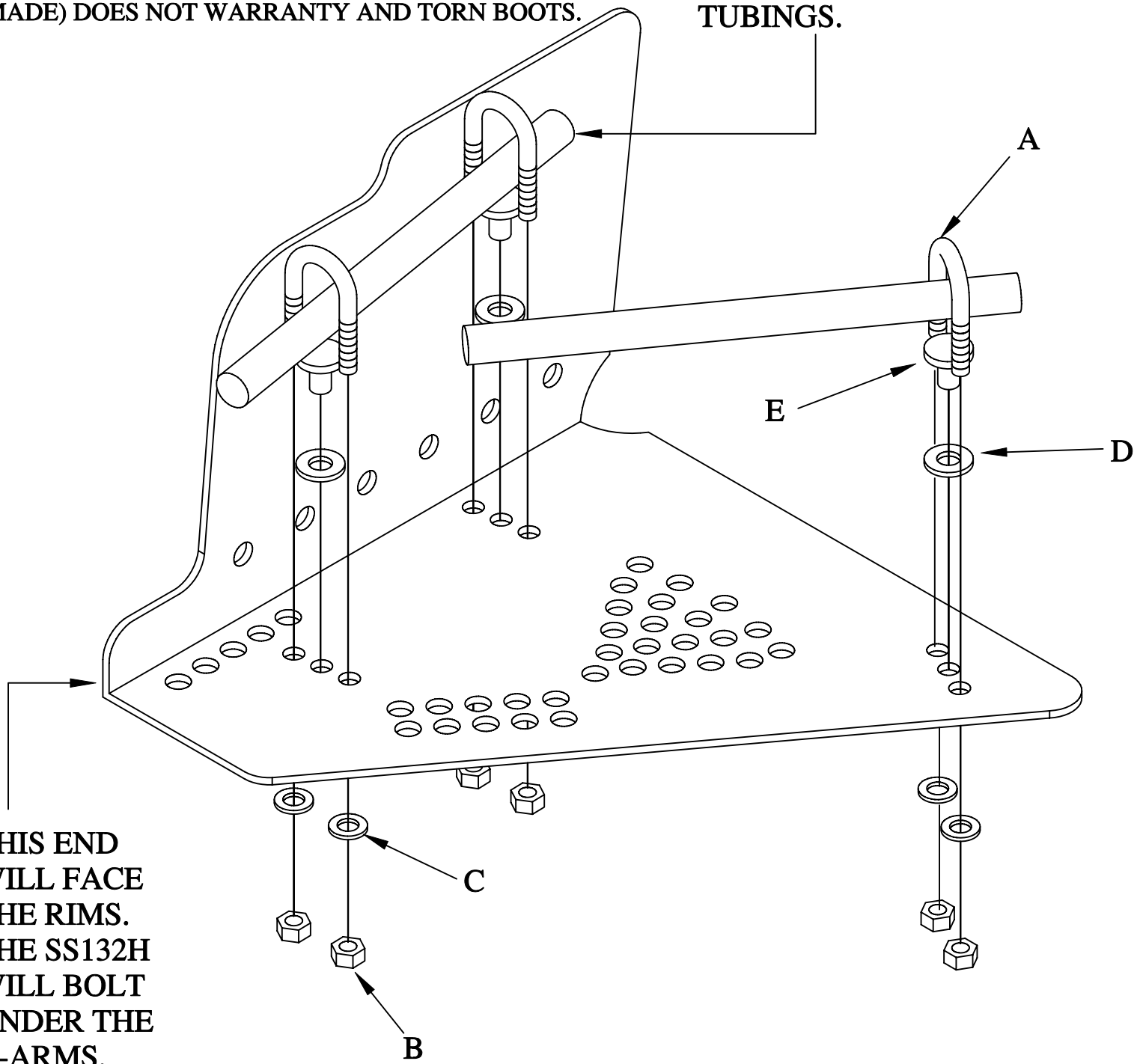


#SS215H

GRIZZLY 660 CLONES

EVEN THOUGH THE NEW BOOT GUARDS YOU HAVE PURCHASED WILL COVER MORE THAN THE ORIGINAL PLASTIC GUARDS. BOOTS HAVE BEEN REPORTED TO BE TORN IN SOME CONDITIONS .DUE TO THE TURNING RADIUS ON SOME OF THE NEWER ATV'S. THE BOOT PROTECTORS HAVE BEEN MANUFACTURED SMALLER TO ALLOW FOR A TIGHTER TURNING RADIUS. SAVANT MFG. (STRONG MADE) DOES NOT WARRANTY AND TORN BOOTS.

REPRESENTS THE A-ARM TUBINGS.



THIS END WILL FACE THE RIMS. THE SS132H WILL BOLT UNDER THE A-ARMS.