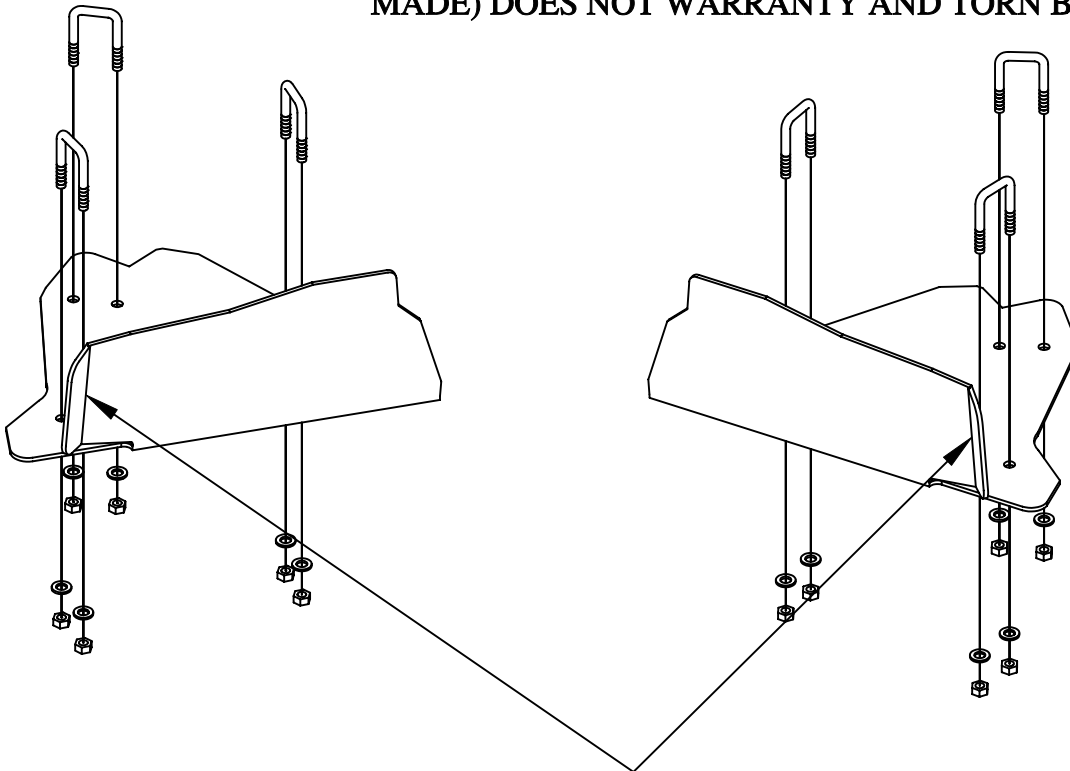


6=1/4X1 SQUARE
YELLOW U-BOLTS-A
12=1/4 LOCK NUTS-B
12=1/4 SAE FLAT
WASHERS-C



#SS131 2001 ARTIC CAT 500
4X4 STANDARD SHIFT
STICK STOPPER.

EVEN THOUGH THE NEW BOOT GUARDS YOU HAVE PURCHASED WILL COVER MORE THAN THE ORIGINAL PLASTIC GUARDS. BOOTS HAVE BEEN REPORTED TO BE TORN IN SOME CONDITIONS .DUE TO THE TURNING RADIUS ON SOME OF THE NEWER ATV'S. THE BOOT PROTECTORS HAVE BEEN MANUFACTURED SMALLER TO ALLOW FOR A TIGHTER TURNING RADIUS. SAVANT MFG. (STRONG MADE) DOES NOT WARRANTY AND TORN BOOTS.



THE SS131 MOUNTS UNDER THE A
ARMS, THIS END POINTS
TOWARD THE INSIDE OF THE RIM.

MAKE SURE ONCE THE SS131 IS
MOUNTED THERE IS NO RUBBING ON
ANY OF THE RUBBER BOOTS.

ANY QUESTIONS
CALL:1-800-326-6880