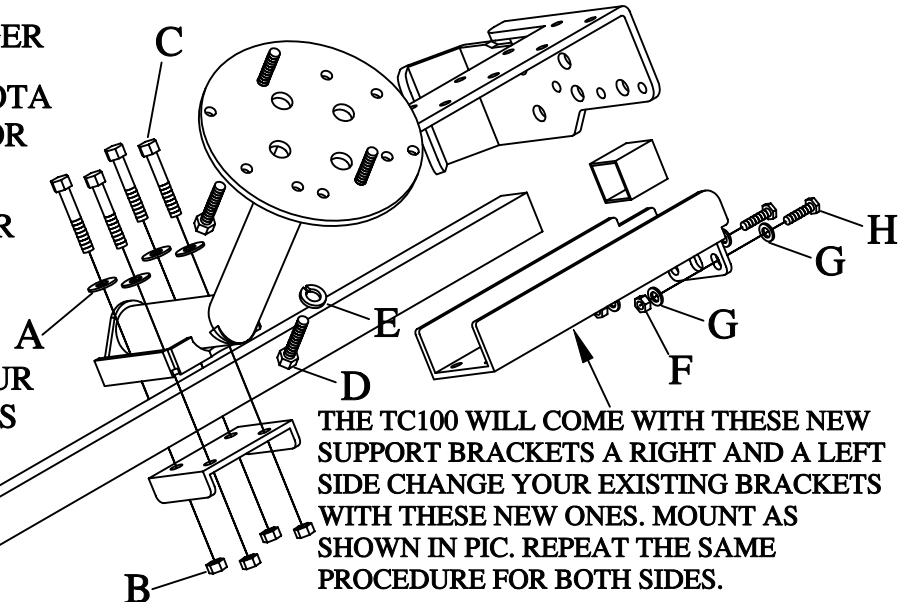
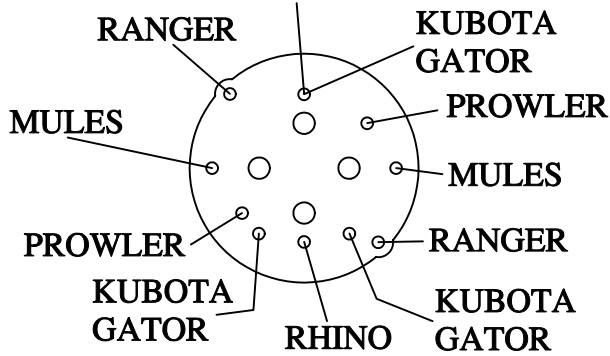


- 4=5/16 USS WASHERS-A
- 4=5/16 LOCK NUTS-B
- 4=5/16 X 2 1/4 BOLTS-C
- 2=10MM X 1.25 X 40MM BOLTS(MHHB/M10-40 1.25)-D
- 2=7/16 LOCK WASHERS-E
- 2=10MM X 1.25 CHROME LUG NUTS(LUG1CA)
- 4=1/4 LOCK NUTS-F
- 8=1/4 SAE-G
- 4=1/4 X 1 BOLTS-H RHINO



TC100

UNIVERSAL TOOL BAR
 .MOUNTED TIRE CARRIER (KUBOTA RTV 900
 POLARIS RANGER ,ARCTIC CAT PROWLER,
 YAMAHA RHINO ,KAWASAKI MULES,SUZUKI
 QUV, JOHN DEER GATOR)



THIS UNIT IS A UNIVERSAL MOUNT. MOUNT THE BRACKET TO THE TOOL BAR (IT IS RECOMMENDED TO MOUNT IT BEHIND THE PASSENGER SIDE) USE THE TWO 10MM BOLTS WITH THE 7/16 LOCK WASHERS AS YOUR STUDS. LOCATE YOUR HOLE PATTERN AND INSTALL THE BOLTS AND WASHERS.

THE TC100 WILL COME WITH THESE NEW SUPPORT BRACKETS A RIGHT AND A LEFT SIDE CHANGE YOUR EXISTING BRACKETS WITH THESE NEW ONES. MOUNT AS SHOWN IN PIC. REPEAT THE SAME PROCEDURE FOR BOTH SIDES.

WARNING !!!!

DEPENDING ON THE LOAD ON THE TOOL BAR IT MAY HAVE A TENDENCY TO SLIDE DOWN THE TUBE. IF THIS PROBLEM OCCURS THEIR IS A SUPPORT KIT THAT CAN BE PURCHASED FOR THIS PROBLEM. THE PART (# TBSK100)

