

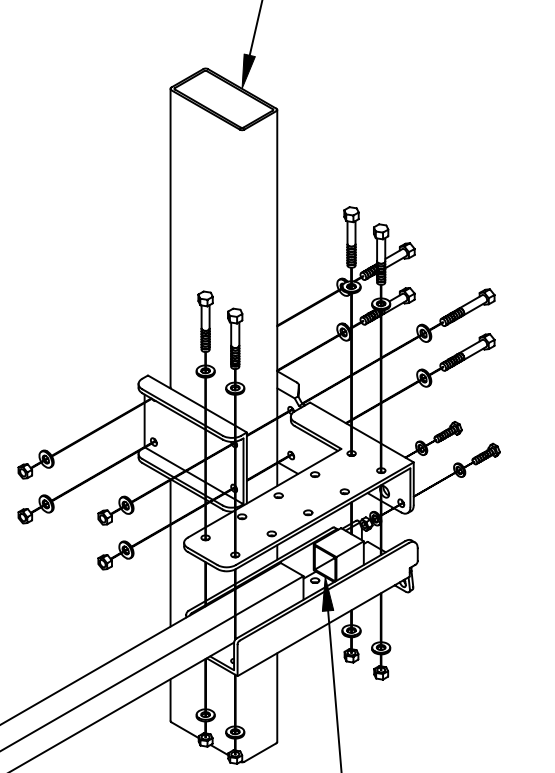
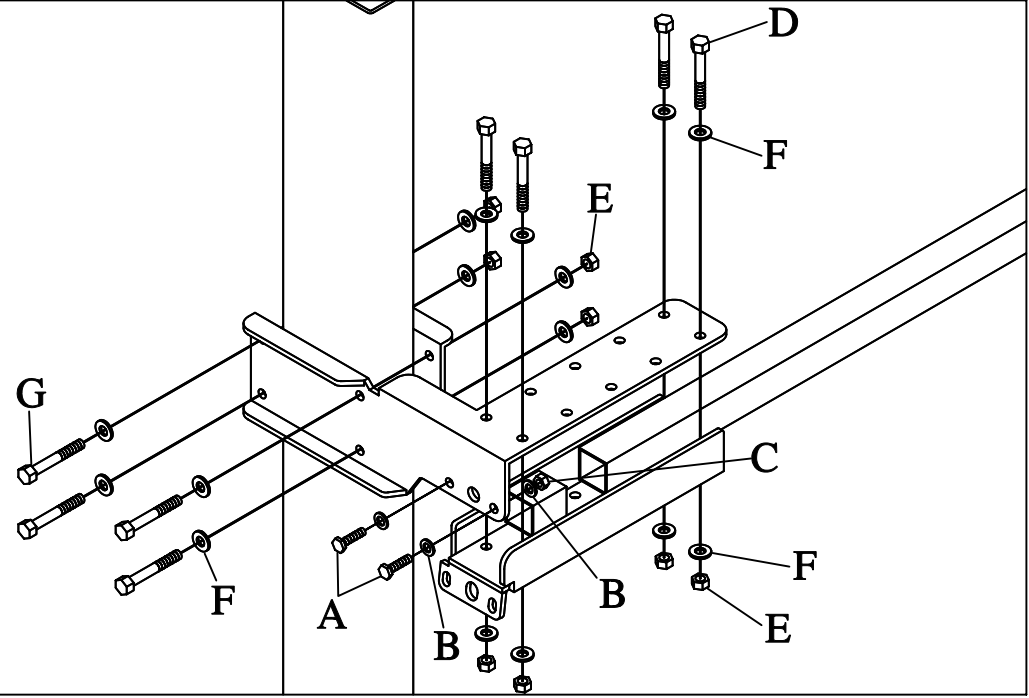
- 4=1/4 X 1 BOLTS-A
- 8=1/4 USS WASHERS-B
- 4=1/4 LOCK NUTS-C
- 8=5/16 X 2 1/4 BOLTS-D
- 16=5/16 LOCK NUTS-E
- 32=5/16 USS WASHERS-F
- 8=5/16 X 3 BOLTS-G



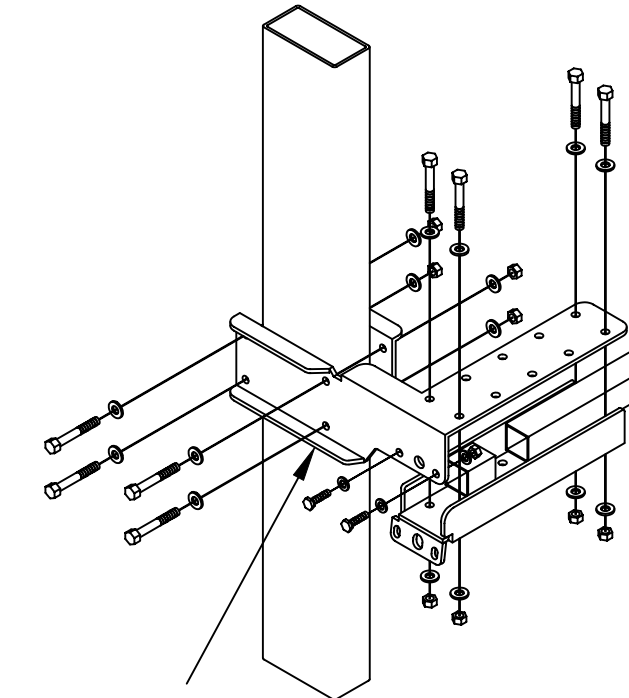
# # UTV-BAR-101

ARCTIC CAT PROWLER 650 H1

FRAME ON THE MACHINE.



1 1/4 SPACER TUB.



**WHEN MOUNTING THE BRACKETS TO THE FRAME TUBES MAKE SURE TO MOUNT THEM HIGH ENOUGH TO BE ABLE TO RAISE THE DUMP BED.**