

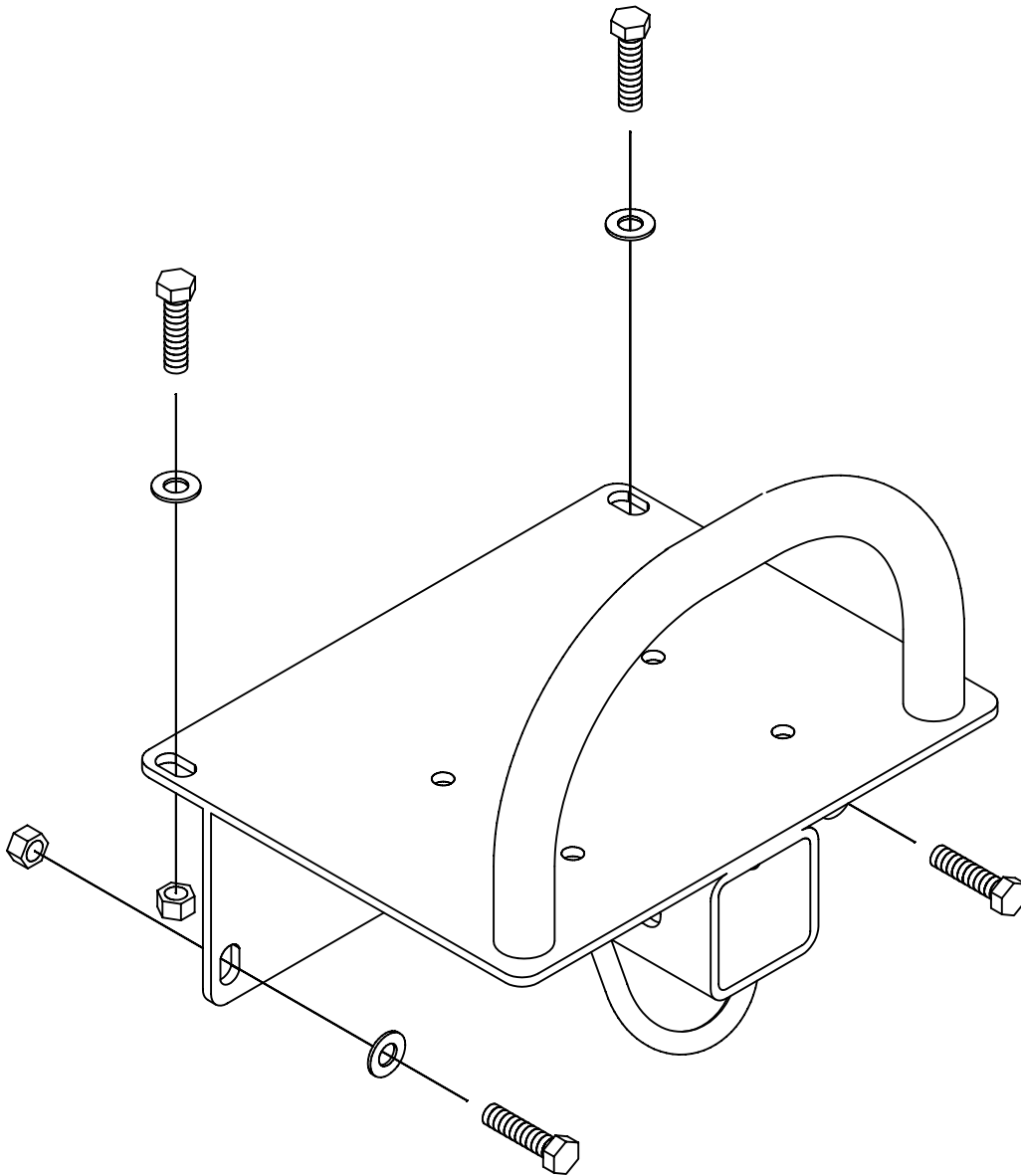
- 4= 3/8 X 1 1/2" BOLTS
- 4= 3/8 SAE FLAT WASHERS
- 4= 3/8 LOCK NUTS



INSTALL ALL FOUR BOLTS IN MOUNT AND ATTACH LOCK NUT BEFORE TIGHTENING THEM. ONCE ALL BOLTS ARE IN THEN TIGHTEN THEM.

#WRM100

WINCH & RECEIVER MOUNT GATOR.



WARNING!!!! DO NOT USE THE 2' BALL MOUNT IN AN ON-ROAD VEHICLE; IT IS NOT DESIGNED TO HANDLE THE LOADS ASSOCIATED WITH ON-ROAD USE. IT SHALL ONLY BE USED WITH THE REAR RECEIVER HITCH FOR THE GATOR.

MANUFACTURED BY SAVANT MFG.