

STRONG SM MADE™

BY SAVANT MANUFACTURING, INC.

www.savantmfg.com

- 4=1/4 LOCK NUTS-A
- 4=1/4 SMALL WASHERS-B
- 4=5/16 SMALL WASHERS-C
- 4=5/16X1 1/4" BOLTS-D
- 2=1/4 X 3/8 U-BOLTS-E
- 4=8MMX1.25X30MM BOLTS-F

- 2=3/8X1 BOLTS
- 2=3/8 LOCK NUTS

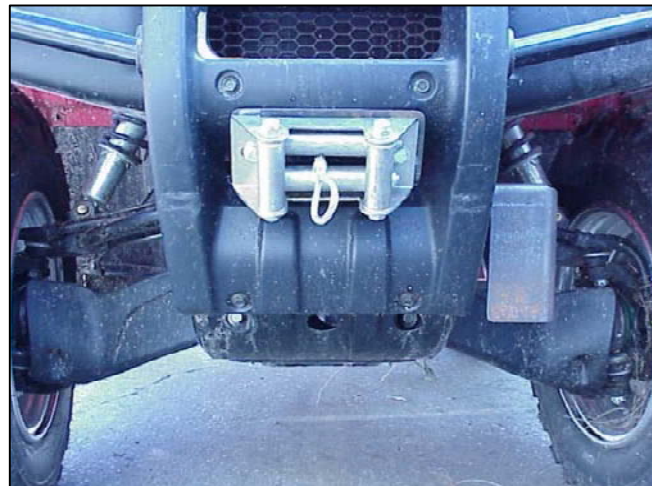
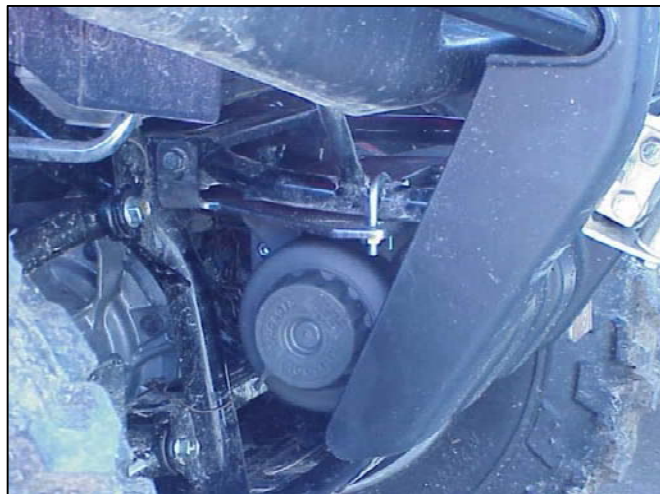
- 2=5/16 LOCK NUTS
- 2=5/16 USS WASHERS
- 2=5/16X1 1/2 BOLTS
- 2=5/16 SAE WASHERS

THIS PLATE IS DESIGNED TO FIT THE RAMSEY 2500LB, AND ALSO THE WARN 2000LB 2500LB WINCHES.

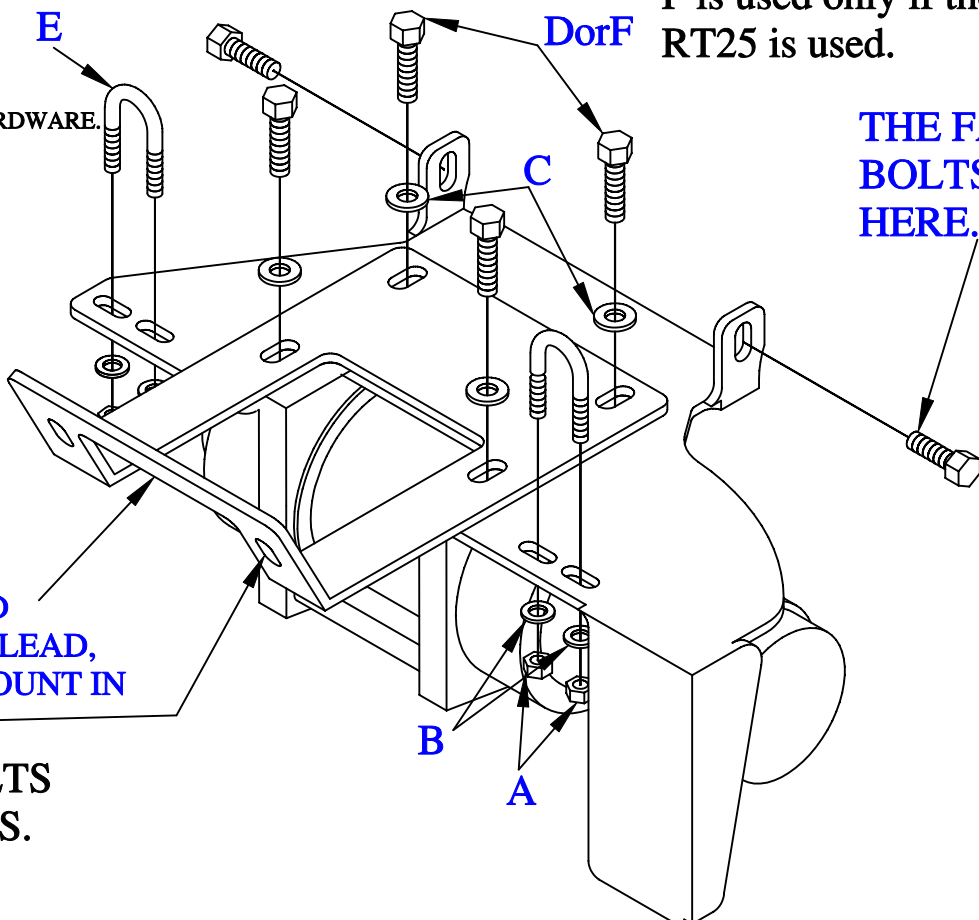
RAMSEY'S WINCH IS SUPPLIED WITH A ROLLER FAIRLEAD. THE WARN WILL COME WITH A HAWSE FAIRLEAD. THIS DEPENDS ON THE WINCH THAT IS PURCHASED. BOTH THE ROLLER OR HAWSE FAIRLEAD WILL MOUNT IN THAT SPECIFIC POSITION.

298007-R37-38

2001 HONDA 500 RUBICON 4X4



IF THE HAWSE FAIRLEAD FROM WARN IS USED IN PLCE OF THE ROLLER FAIRLEAD USE THIS HARDWARE.



F is used only if the Warn RT25 is used.

THE FACTORY BOLTS ARE USED HERE.

THIS PLATE IS SUPPLIED FOR THE USE OF A FAIRLEAD, THE FAIRLEAD WILL MOUNT IN THESE HOLES.

USE THE 3/8X1 BOLTS AND 3/8 LOCK NUTS.