



2=1/4X3/4 U-BOLTS=A
 2=1/4X3/8 U-BOLTS=B
 2=5/16X2 BOLTS=C
 8=1/4 USS LARGE
 WASHERS=D

8=1/4 LOCK NUTS=E
 4=5/16 SAE WASERS=F
 2=5/16 LOCK NUTS=G
 2=3/16X1X7/8 RCL=H

2=5/16 LOCK NUTS
 2=5/16 USS WASHERS
 2=5/16X2 1/4 BOLTS
 2=5/16 SAE WASHERS

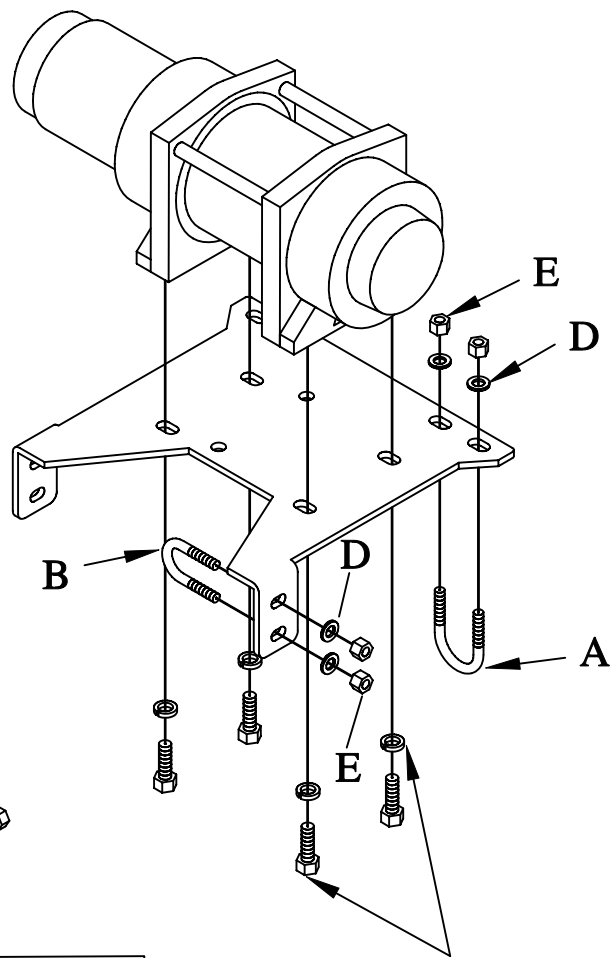
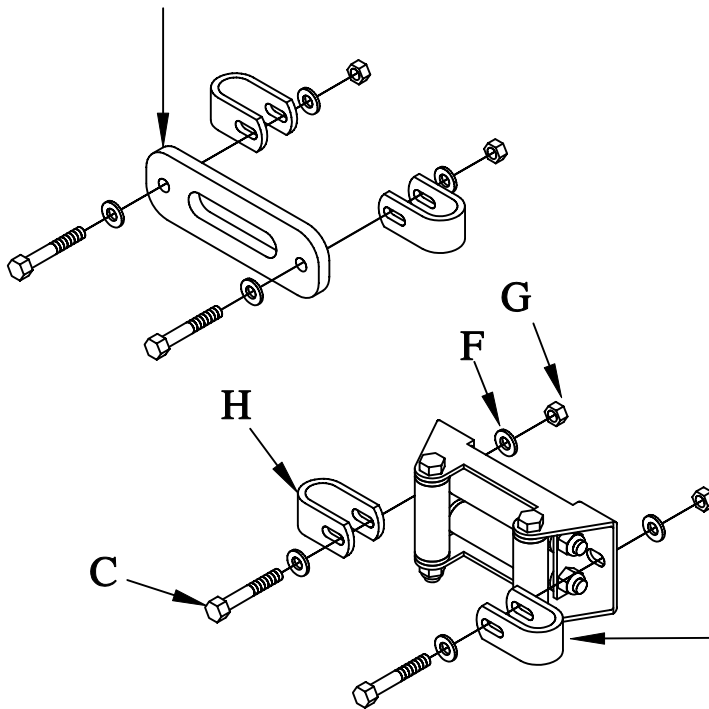
IF THE HAWSE FAIRLEAD FROM
 WARN IS USED IN PLCE OF THE
 ROLLER FAIRLEAD USE THIS HARDWARE.

THIS PLATE IS DESIGNED TO FIT THE RAMSEY 2500LB,
 AND ALSO THE WARN 2000LB , 2500LB WINCHES.

RAMSEY'S WINCH IS SUPPLIED WITH A ROLLER
 FAIRLEAD. THE WARN WILL COME WITH A HAWSE
 FAIRLEAD. THIS DEPENDS ON THE WINCH THAT IS
 PURCHASED. BOTH THE ROLLER OR HAWSE FAIRLEAD
 WILL MOUNT IN THAT SPECIFIC POSITION.

298010-R27
HONDA 250 RECON

MOUNT AS SHOWN IF A
 WARN WINCH
 WAS PURCHASED.



THESE WILL COME WITH
 THE WINCH HARDWARE.

THESE CLIPS WILL GO AROUND THE BARS
 THAT ARE PART OF THE BUMPER IN THE
 FRONT. MOUNT AS SHOWN IN THE PICTURE.