

- 4= 1/4 X 3/4 U-BOLTS-A
- 2= 3/16 X1 ZINC PLATED WASHERS-B
- 2= #16 ALUM. TANNER RIVETS-C
- 8= 1/4" LOCK NUTS-D
- 8= 1/4 USS WASHERS-E



THIS PLATE IS DESIGNED TO FIT THE RAMSEY 2500LB, AND ALSO THE WARN 2000LB 2500LB WINCHES.

RAMSEY'S WINCH IS SUPPLIED WITH A ROLLER FAIRLEAD. THE WARN WILL COME WITH A HAWSE FAIRLEAD. THIS DEPENDS ON THE WINCH THAT IS PURCHASED. BOTH THE ROLLER OR HAWSE FAIRLEAD WILL MOUNT IN THAT SPECIFIC POSITION.

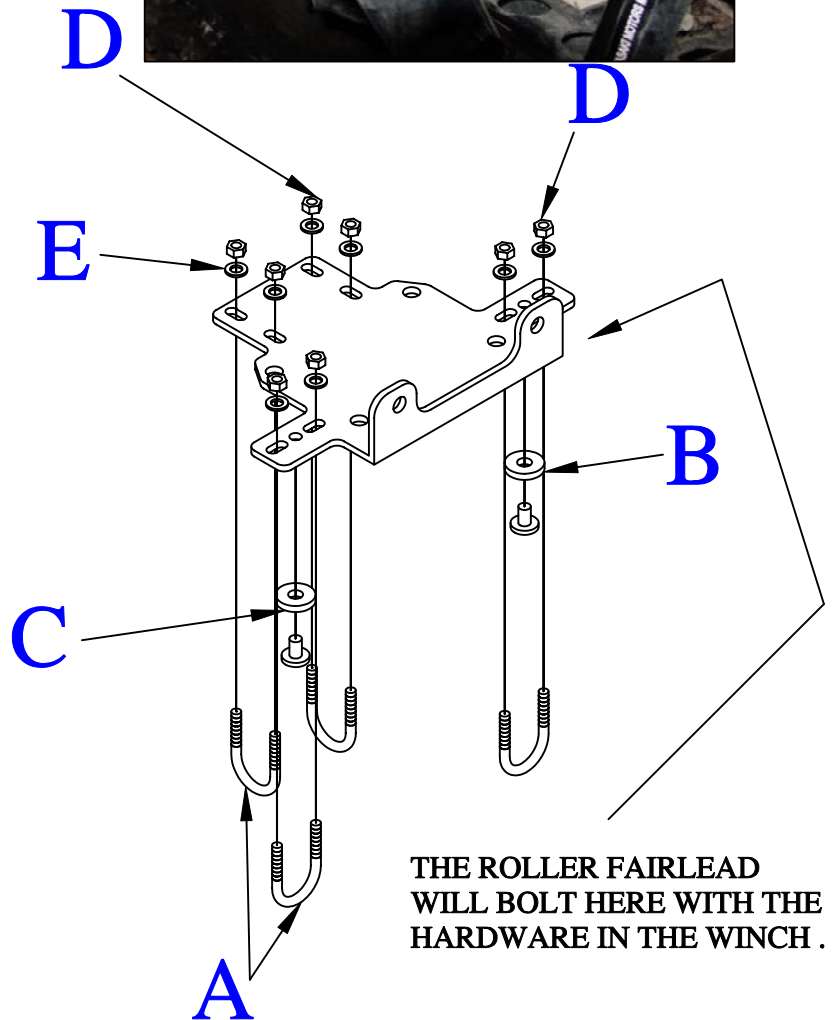
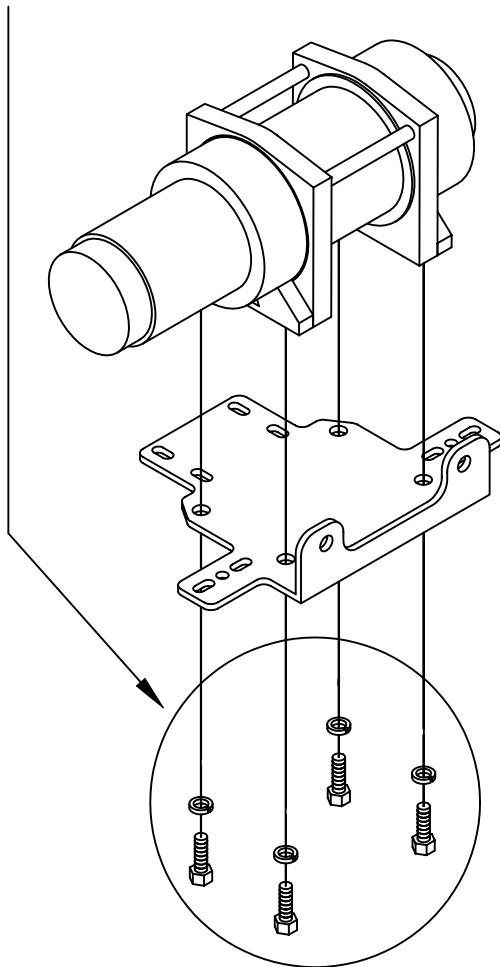
298012-R33

KAWASAKI 300 PRARIE 4X4

IF THE HAWSE FAIRLEAD FROM WARN IS USED IN PLACE OF THE ROLLER FAIRLEAD USE THE BOLTS AND NUTS THAT OR ON THE HAWSE.



THESE 5/16X1 BOLTS AND 5/16 WASHERS WILL BE SUPPLIED WITH THE WINCH THAT IS PURCHASED.



THE ROLLER FAIRLEAD WILL BOLT HERE WITH THE HARDWARE IN THE WINCH .