



- 4=1" SQUARE PLUGS
- 4=3/16X1X1 CLIPS
- 12=5/16 FLAT WASHERS
- 4=5/16 LOCK NUTS
- 4=5/16X2 1/4 BOLTS
- 4=5/16X1 1/4 BOLTS

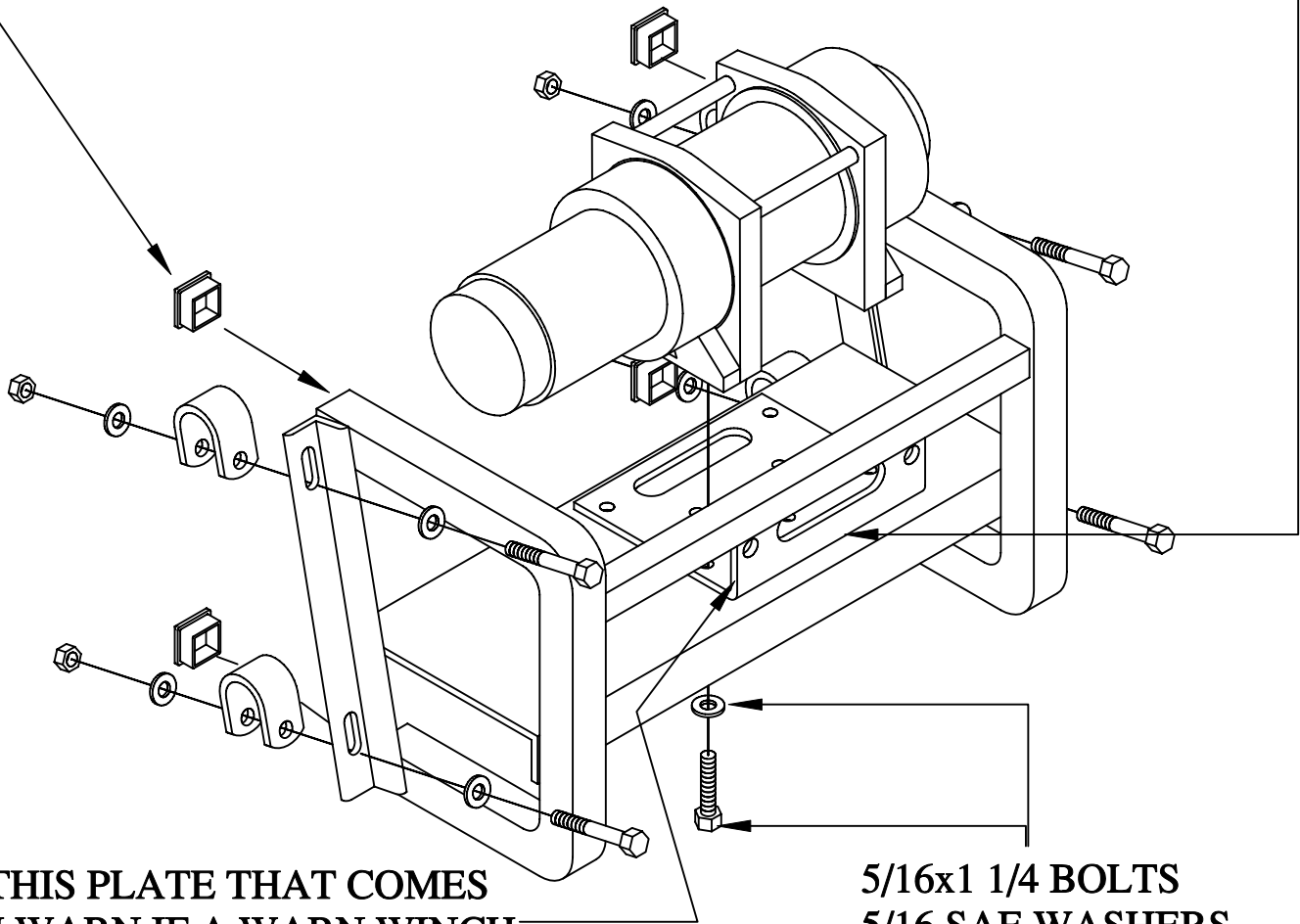
**THIS PLATE IS DESIGNED TO FIT THE RAMSEY 2500LB, AND ALSO THE WARN 2000LB , 2500LB WINCHES. RAMSEY'S WINCH IS SUPPLIED WITH A ROLLER FAIRLEAD. THE WARN WILL COME WITH A HAWSE FAIRLEAD. THIS DEPENDS ON THE WINCH THAT IS PURCHASED. BOTH THE ROLLER OR HAWSE FAIRLEAD WILL MOUNT IN THAT SPECIFIC POSITION.**

# 298013-R15

KAWASAKI BAYOU 400 4X4

**ROLLER FAIRLEAD WILL MOUNT TO THIS PLATE WITH IT'S OWN HARDWARE.**

**USE THE PLUGS TO CAP THE HOLES UP.**



**USE THIS PLATE THAT COMES WITH WARN IF A WARN WINCH IS PURCHASED.**

**5/16x1 1/4 BOLTS  
5/16 SAE WASHERS**